

INSTALLATION INSTRUCTIONS



DuraTech 5" - 24"
Chimney Shroud

DURATECH SHROUD

SIMPSON

 **Dura-Vent**

COMPLETE VENTING SOLUTIONS FOR THE HEARTH INDUSTRY

A MAJOR CAUSE OF CHIMNEY RELATED FIRES IS FAILURE TO MAINTAIN REQUIRED CLEARANCES (AIR SPACES) TO COMBUSTIBLE MATERIALS. IT IS OF THE UTMOST IMPORTANCE THAT THIS CHIMNEY BE INSTALLED ONLY IN ACCORDANCE WITH THESE INSTRUCTIONS.

NOTE:

Read through all these instructions before beginning your installation. Failure to install the chimney as described in these instructions will void the manufacturer's warranty and may have an effect on your homeowner insurance and UL listing status. Refer to the DuraTech Chimney Installation Instructions for complete details on installing the DuraTech Chimney system. Keep these instructions for future use.

Dear Customer, Installer, or End User:

I welcome any comments regarding matters pertaining to our Simpson Dura-Vent products. I welcome any ideas, input or complaints and I'll make sure that someone responds directly back to you.

Send your emails to:
president@duravent.com

If you are searching for tech support or product information, please phone us at 800-835-4429. Or email us at:
techsupport@duravent.com

Sincerely,
Steve Eberhard, President and CEO
Simpson Dura-Vent Co., Inc.

APPLICATION AND LISTING

As specified in these instructions, Shrouds are approved for use with DuraTech Chimney (5"-24" diameter). A Shroud built and installed in compliance with these instructions is UL listed for use with DuraTech chimney (listing number MH7399).

INSTALLATION NOTES

Practice good workmanship. Exercise extreme caution when working on roofs. Be sure to wear appropriate safety gear and clothing as needed. Refer to the DuraTech Chimney Installation Instructions for further safety details.

SHROUD REQUIREMENTS

Shrouds can either be field-fabricated or factory-fabricated, but they must meet the requirements as specified in these instructions. Shrouds must be constructed of a minimum 24 gauge (.024") stainless steel, aluminized steel, galvanized steel, or copper. Other materials may also be used, such as brick, mortar, stucco, stone, etc., provided they are completely non-combustible. Check with your local building code authorities for any additional shroud requirements. Shrouds must be able to be removed to allow chimney access to properly clean the chimney. DuraTech installations which include the use of a shroud must comply with the following requirements (*Figure 1*):

- DuraTech chimney must maintain at least 2" clearance from combustible materials.
- The chase enclosure must be ventilated.
- The Chase Top Flashing or field-fabricated chase pan must be used. Fieldfabricated chase pans are acceptable if they meet these requirements:
 - Material must be 24 gauge (.024") Galvanized steel or equivalent.
 - Chase pan must have opening 3" larger than outside diameter of chimney pipe with at least a 1/2" upturned flange/collar.
 - Chase pan must overhang chase by 1/2" per side for proper air flow.
 - Chase pan must have a 1" down urned outside edge (weather protection).

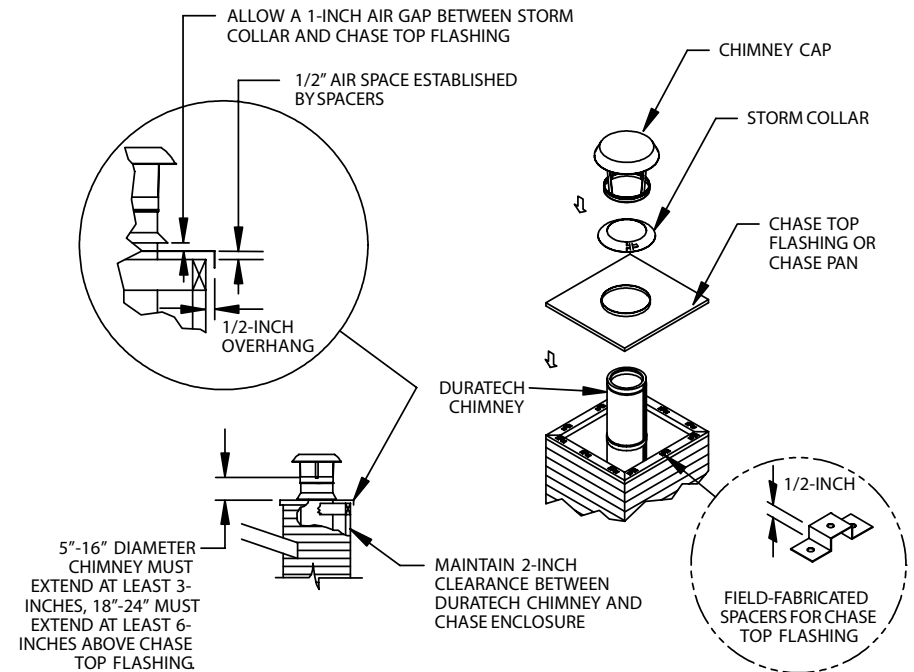


Figure 1



- Field-fabricated spacers (1/2" tall, 24 gauge or .024" Galvanized steel) must be used to support the Chase Top Flashing or chase pan, in order to provide air flow.
 - 5"-16" DuraTech chimney must extend at least 3" above the chase pan/flashing.
 - 18"-24" DuraTech chimney must extend at least 6" above chase pan/flashing.
 - A DuraTech chimney cap must be used inside the shroud.
 - The Shroud must not be in direct contact with any of the DuraTech components (other than Chase Top Flashing).
 - All Open Areas of the shroud must be covered with 1/2" stainless or galvanized steel mesh screen to prevent debris from entering the Shroud.
 - Shrouds must follow the dimensional requirements specified in *Tables 1, 2 or 3*, depending on the style of shroud used. The three basic shroud styles are a) House, b) Arch or Mailbox, and c) Pyramid.
- Most factory-fabricated shrouds will fall under one of these basic style categories.

WARRANTY

Simpson Dura-Vent makes no warranty or representation of any kind, either express or implied, concerning the materials, quality, workmanship or installation of the third-party manufactured shrouds that may be used in connection with the DuraTech Chimney System. Simpson expressly disclaims any and all liability of any kind related to the materials, quality, workmanship or installation of such third party manufactured shrouds.

Simpson warrants the accuracy of its specifications for the selection of third-party manufactured shrouds. Should a third-party manufactured shroud require replacement due to the inaccuracy of a Simpson selection specification, Simpson's sole obligation and liability will be to replace such shroud with one of similar size and quality appropriate to the installation. Simpson's warranties are otherwise limited to the warranties set forth in the DuraTech Lifetime Limited Warranty.

HOUSE STYLE SHROUD

The House style shroud is roughly square or rectangular with a closed top and exhaust openings on four (4) sides. (*Figure 2*) Table 1 lists the minimum Shroud dimensions, the minimum Open Area per side, and the minimum Total Open Area for the Shroud, depending on the diameter of DuraTech chimney used.

Shaded area represents screened Open Area. Actual shape of Shroud may vary as long as minimum dimensions and minimum Open Area requirements are met.

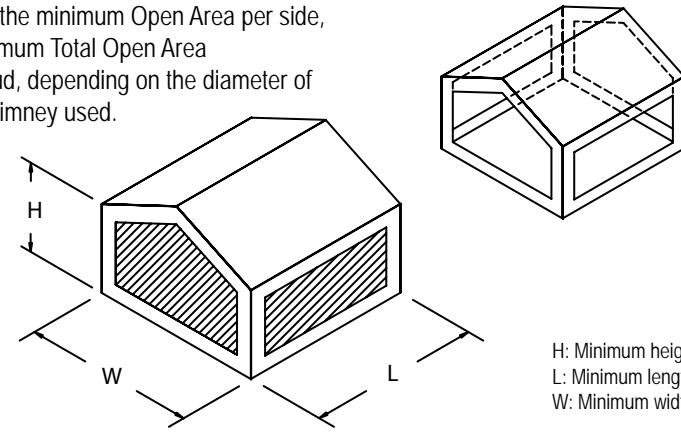


Figure 2

H: Minimum height of Shroud
L: Minimum length of Shroud
W: Minimum width of Shroud

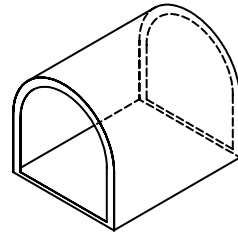
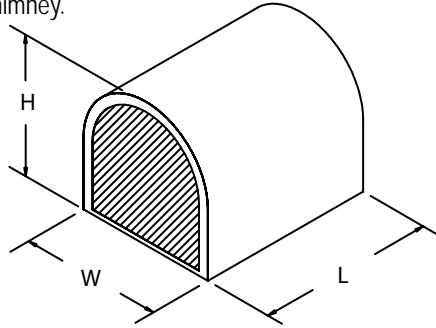
House Style Shroud Minimum Dimensions						
Chimney Diameter (inches)	Chimney Area (inches)	Min Height H (inches)	Min Length L (inches)	Min Width W (inches)	Min Open Area per side (sq. in)	Min Total Open Area (sq. in)
5	20	17	13	13	20	79
6	28	17	13	13	28	113
7	38	17	17	17	38	154
8	50	17	17	17	50	201
10	79	22	24	24	79	314
12	113	23	24	24	113	452
14	154	24.5	28	28	154	615
16	201	25	28	28	201	804
18	254	28	32	32	423	1692
20	314	28	32	32	524	2096
22	380	28	36	36	634	2536
24	452	28	36	36	750	3000

Table 1: House Style Shroud Minimum Dimensions

ARCH / MAILBOX STYLE SHROUD

The Arch or Mailbox style shroud generally has two solid sides and a solid top. The exhaust openings are on the two (2) open ends of the arch. (Figure 3) Table 2 lists the minimum Shroud dimensions, the minimum Open Area per side, and the minimum Total Open Area for the Shroud, depending on the diameter of DuraTech chimney.

Shaded area represents screened Open Area. Actual shape of Shroud may vary as long as minimum dimensions and minimum Open Area requirements are met.



H: Minimum height of Shroud
L: Minimum length of Shroud
W: Minimum width of Shroud

Figure 3

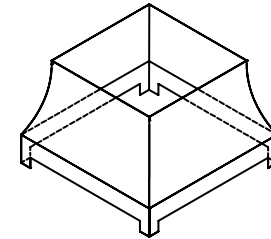
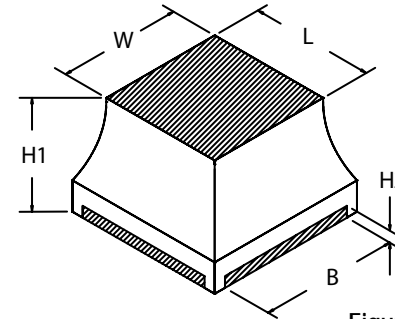
Arch / Mailbox Style Shroud Minimum Dimensions						
Chimney Diameter (inches)	Chimney Area (inches)	Min Height H (inches)	Min Length L (inches)	Min Width W (inches)	Min Open Area per side (sq. in)	Min Total Open Area (sq. in)
5	20	17	13	13	39	79
6	28	17	13	13	57	113
7	38	17	17	17	77	154
8	50	17	17	17	100	201
10	79	22	24	24	157	314
12	113	23	24	24	226	452
14	154	24.5	28	28	308	615
16	201	25	28	28	402	804
18	254	28	32	32	508	1016
20	314	28	32	32	628	1256
22	380	28	36	36	760	1520
24	452	28	36	36	904	1808

Table 2: Arch/Mailbox Style Shroud Minimum Dimensions

PYRAMID STYLE SHROUD

The Pyramid style shroud is roughly square or rectangular with an open top for exhaust as well as openings along the base of the four (4) sides. (Figure 4) Table 3 lists the minimum Shroud dimensions, including the minimum height and length of the base openings on the sides, depending on the diameter of DuraTech chimney.

Shaded area represents screened Open Area. Actual shape of Shroud may vary as long as minimum dimensions and minimum Open Area requirements are met.



L: Minimum length of Shroud top opening
W: Minimum width of Shroud top opening
H1: Minimum total height of Shroud
B: Minimum length of opening along base
H2: Minimum height of opening along base

Figure 4

Pyramid Style Shroud Minimum Dimensions					
Chimney Diameter (inches)	Min Height H 1 (inches)	Min Length L (inches)	Min Width W (inches)	Min Base B (inches)	Min Height H 2 (inches)
5	17	13	13	7	1.0
6	17	13	13	7	1.0
7	17	17	17	11	1.0
8	17	17	17	11	1.0
10	22	24	24	18	1.5
12	23	24	24	18	2.0
14	24.5	28	28	22	2.0
16	25	28	28	22	2.5
18	30	35	35	24	3.0
20	30	35	35	24	3.0
22	30	39	39	24	4.0
24	30	39	39	24	4.0

Table 3: Pyramid Style Shroud Minimum Dimensions

Simpson Dura-Vent, Inc
PO Box 1510
Vacaville CA 95696-1510

Simpson Dura-Vent:
50 years of Engineered Excellence®

Manufactured in Vacaville CA
and Vicksburg MS



Customer Service Support 800-835-4429 707-446-4740 FAX www.duravent.com

ComVent, DirectVent Pro, DuraBlack, DuraChimney II, DuraConnect, DuraFlex, DuraLiner, DuraTech, DuraPlus, DuraPlus HTC, Dura-Vent, DVL, PelletVent, and PelletVent Pro are registered trademarks of the Simpson Dura-Vent Co., Inc. All rights reserved, 2007. Made in the USA.

Simpson Dura-Vent is a division of Simpson Manufacturing Company. NYSE:SSD.

L157 10/2007