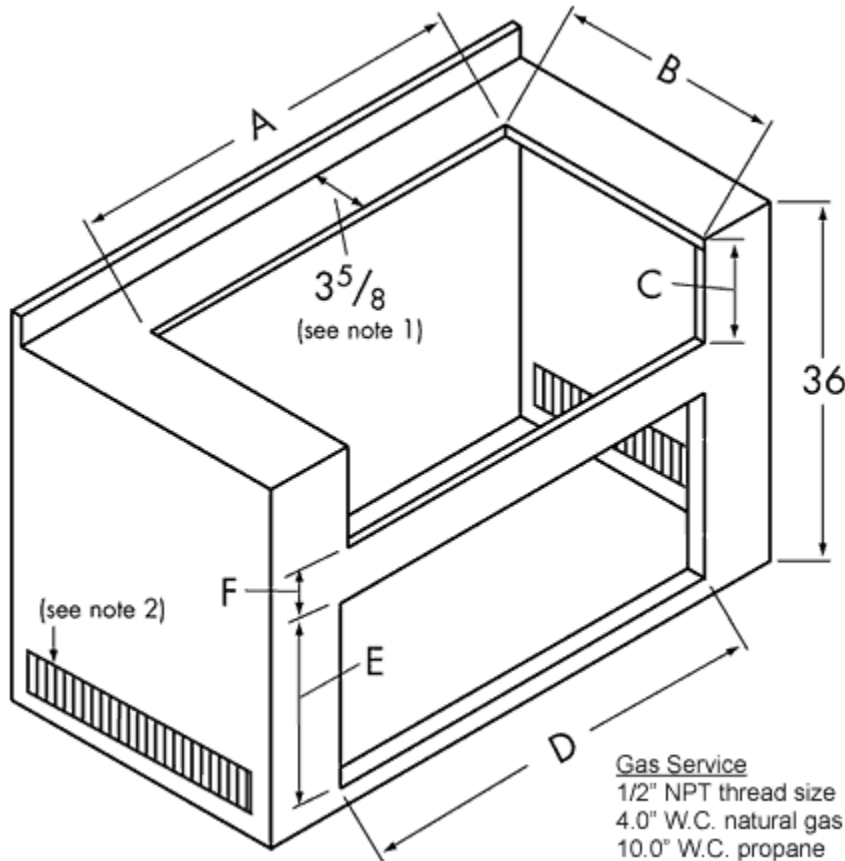


CUTOUT SIZES FOR SOLAIRE GRILLS & ACCESSORIES



**Dimension A**

27" Grills • 26"  
30" Grills • 28 1/2"  
42" Grills • 40 1/2"  
56" Grills • 54 1/2"  
IRIJ-27 & 27XL • 31 3/8"  
IRIJ-30 • 35"  
IRIJ-42 • 47"  
IRIJ-56 • 61"

**Dimension B**

AGBQ-27 • 16 1/4"  
AGBQ-27XL • 21"  
30, 42, 56" Grills • 23"  
IRIJ-27 • 17 11/16"  
IRIJ-27XL • 22 9/16"  
IRIJ 30, 42, 56 • 24 1/2"

**Dimension C**

27" Grills • 8 7/8"  
30, 42, 56" Grills • 10 1/4"  
IRIJ-27 & 27XL • 10"  
IRIJ 30, 42, 56 • 11 1/4"

**Dimension D**

Door # IRAD-21 • 18 1/4"  
Doors # IRAD-30 • 27 1/4"  
Doors # IRAD-42 • 39 1/4"  
Refrig. # RC42 • 42 3/8"

**Dimension E**

All Doors • 18 1/4"  
Refrig. # RC42 • 21 3/8"

**Dimension F**

All Doors • 3 7/8"  
Refrig. # RC42 • 2 1/8"

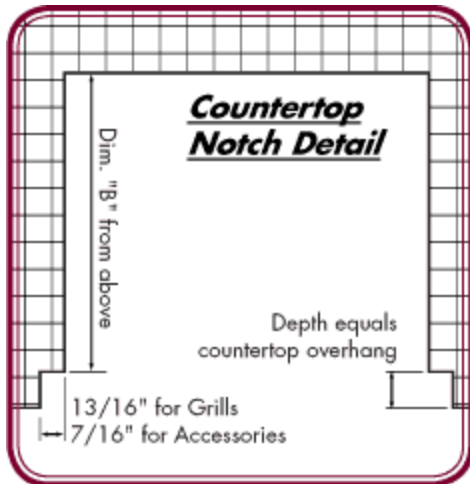
**Note 1:** Min. 2" clearance required between edge of cutout and inside back wall of enclosure for gas regulator.

**Note 2:** Refrigerator installations require ventilation on both sides of enclosure. Minimum front-to-back inside clearance is 25 3/8."

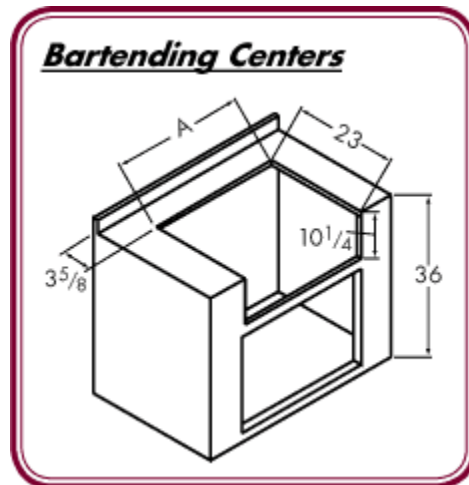
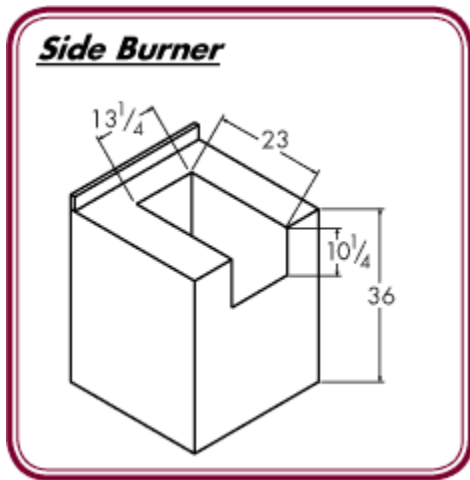
**SPECIAL NOTE:** Grill installation into combustible enclosure requires insulated jacket. Order part #SOL-IRIJ-XX, where "XX" is the size of the grill in inches.

**NATURAL GAS SUPPLY NOTE:** A standard 3/8" ID flexible natural gas supply hose has a maximum capacity of 60,000 BTUs and should be used with 27" and 30" grills only. A 1/2" ID natural gas supply hose is required for larger models, or for 30" grills with a side burner. The proper hose is available from Solaire, order part #SOL-12HOSE12.

## DETAIL FOR FLUSH-MOUNTING



If the countertop of your island overhangs the cabinet face, the countertop must be notched to accommodate the control panel or front of the Solaire equipment.



### Dimension A

IRDT-24 • 23 1/4"    IRDT-30 • 28 1/2"