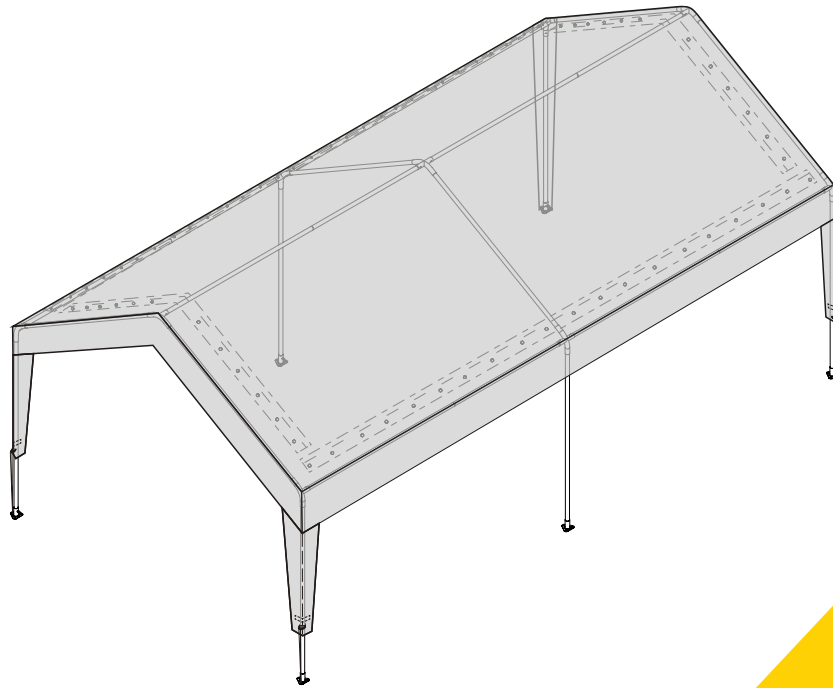




# 10ft X 20ft Garden Canopy

10ft8in Wide x 20ft Deep x 6ft8in Side Height x  
9ft9in Center Height



King Canopy Item #: GC1020BK-CB

With 6 Legs, Black Mesh Cover, Elastic Ball Straps, Foot Pads & Storage Bag

**WARNING:**

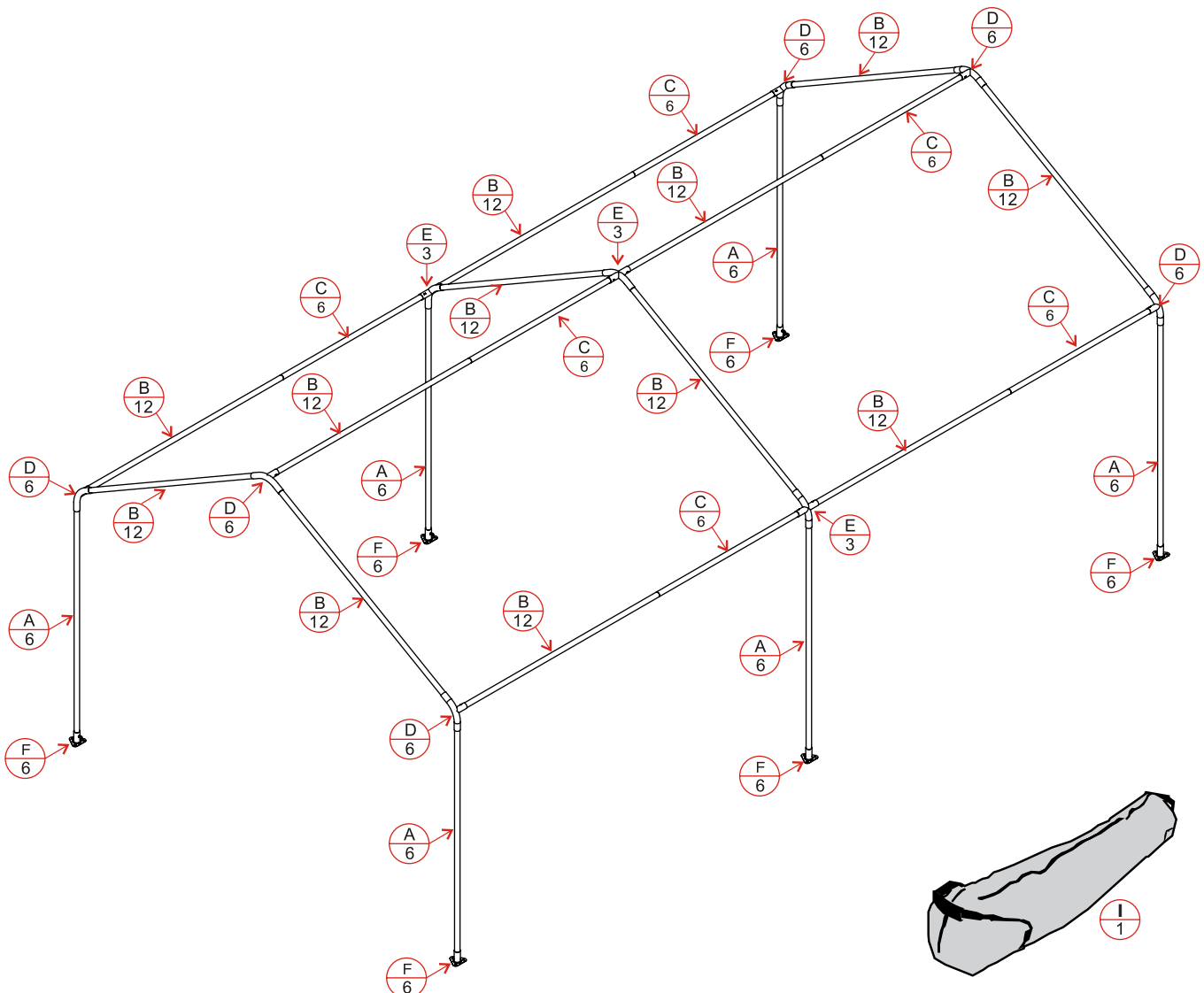
Keep all flame and heat sources away from this tent fabric. It is not fire proof. The fabric will burn if left in continuous contact with any flame source.



# PARTS LIST



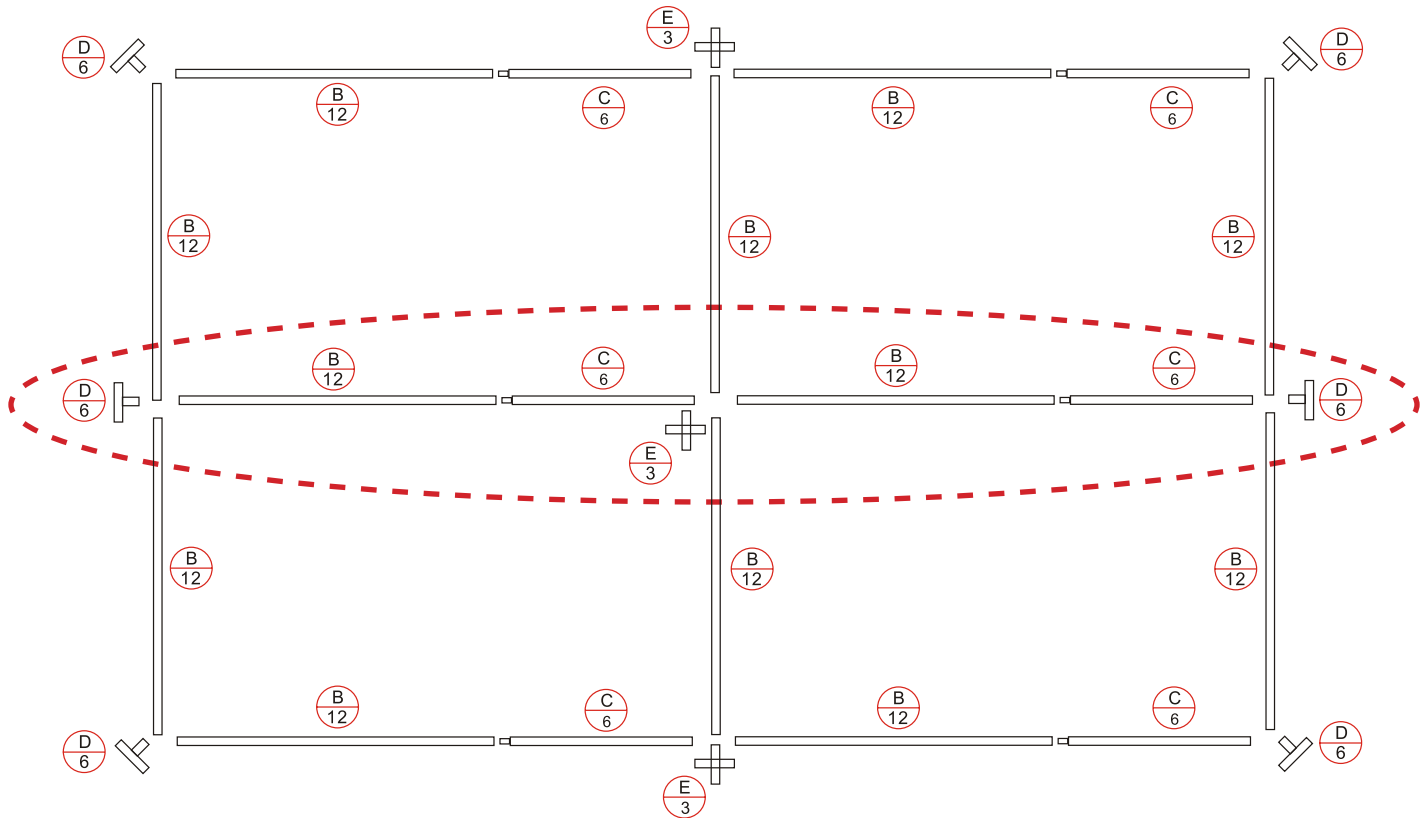
<b>A)</b>	6X6PC	6 pc	1 3/8" Diameter 78" Pipe
<b>B)</b>	5X8PC	12 pc	1 3/8" Diameter 68" Pipe
<b>C)</b>	4X6PC	6 pc	1 3/8" Diameter 52" Swaged Pipe
<b>D)</b>	3WPC	6 pc	3-Way Donnectors
<b>E)</b>	4WPC	3 pc	4-Way Connectors
<b>F)</b>	FOOTPC	6 pc	Steel Foot Pads
<b>G)</b>	TGC1020BK	1 pc	Black Mesh Cover
<b>H)</b>	BALL50	50 pc	Elastic Ball Straps
<b>I)</b>	CB80	1 pc	Canopy Storage Bag



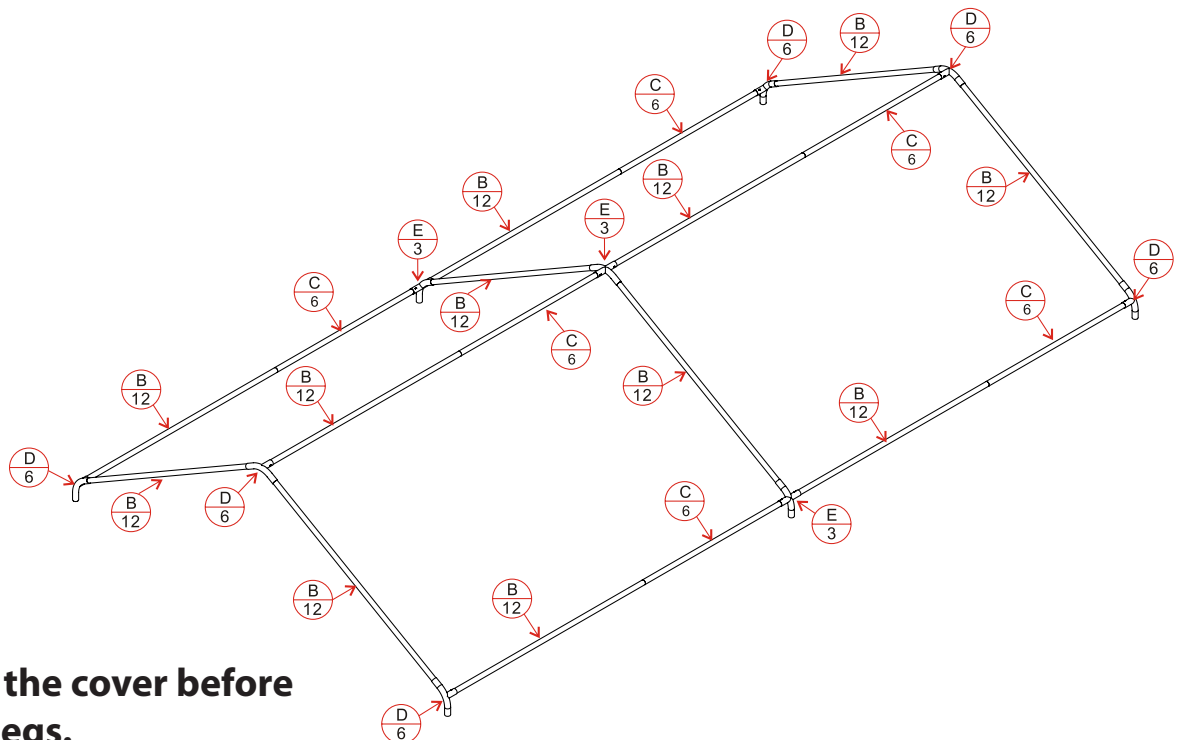
# FRAME ASSEMBLY



**Step 1:** Place all corners and pipe on the ground as shown. The swaged pipes are used to form the length of the canopy.



**Step 2:** Start with the center and complete the center frame first. Then assemble each side. (See Dotted Circled Section Above)



**NOTE:** Attach the cover before inserting the legs.

# COVER ASSEMBLY

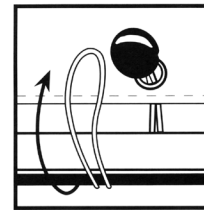
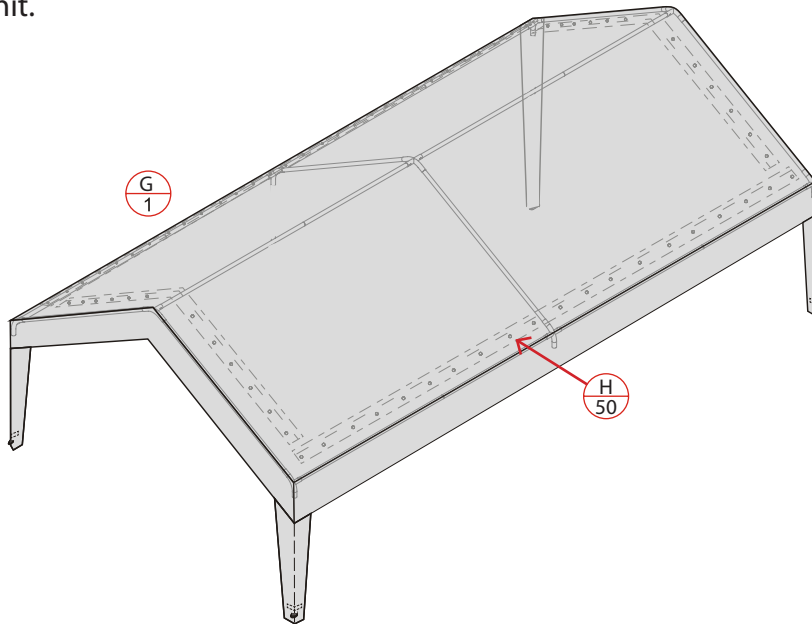


## Step 1

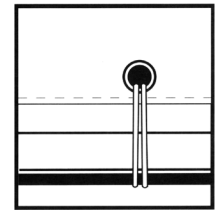
Unfold the cover with the grommets toward the cover's bottom and place over the frame.

## Step 2

Begin attaching the cover with the elastic ball straps by inserting the elastic cord of the ball strap underneath the cover and through the grommet. Then pull cord taut until ball stops. Wrap the cord around the pole and under the ball. This will hide the ball under the cover and provide a more finished look to your unit.

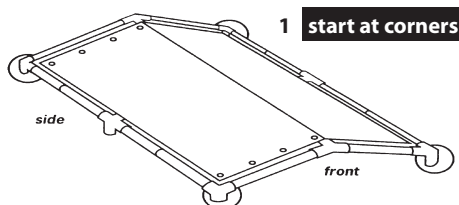


INSIDE VIEW

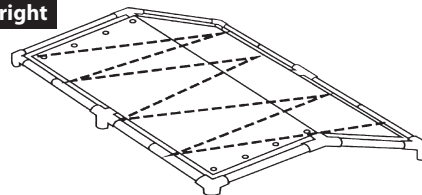


OUTSIDE VIEW

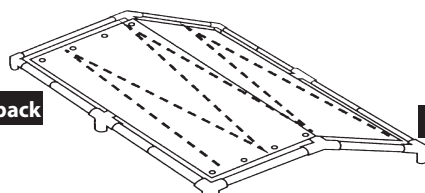
- Start by attaching 2 elastic ball straps at each of the four corners
- Continue attaching straps from left to right in a zigzag pattern down both sides of the canopy
- Attach straps at the front and back of the unit, again using a zigzag pattern until all straps are secured.



2 go left to right



3 go front to back



end here

# LEG ASSEMBLY



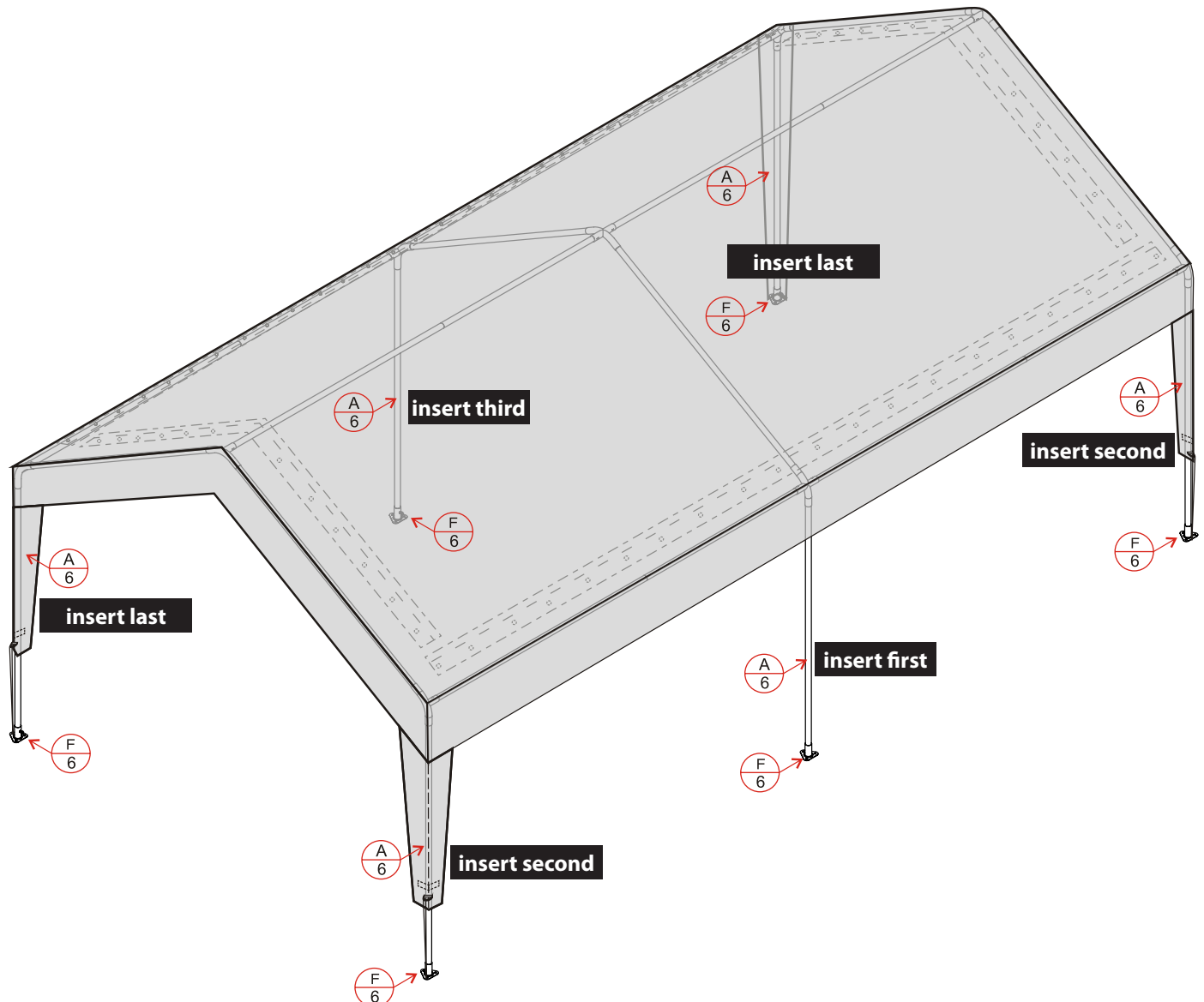
**NOW, CONNECT THE LEG POLES TO THE ROOF ASSEMBLY WITH THE COVER ALREADY POSITIONED ON TOP OF THE UNIT.**

**Step A:** First attach the foot pads to the 6 leg pipes.

**Step B:** Insert the pipe for the middle leg on one side into the 4-way connector, and then insert the corner legs into the 3-way connectors the same way. (See illustration) Repeat step for the other side. Make sure the hooks on the foot pads face the outside so that the straps on the leg skirts can be attached.

**Step C:** Secure hook and loop straps on the leg skirts around the corner legs and attach the lower strap to the foot pads and pull tight.

**NOTE: The foot pads are NOT for anchoring the canopy!**



**IMPORTANT! Once the legs and cover are assembled, your canopy will act like a kite in the wind. It is imperative that the canopy anchors be installed NOW!**



# ANCHORING YOUR UNIT

This canopy is designed for use as a temporary structure. After assembly, the canopy **MUST BE** securely anchored to the ground to prevent damage from winds. Your canopy will act like a kite in the wind if not properly and securely anchored to the ground. Severe winds will cause the frame to twist and unanchored legs will fall, thereby collapsing the canopy. If severe winds are expected, you must remove the cover from the frame to prevent damage.

## Step 1

Measure out at least 36in from each leg. Screw each anchor into the ground leaving 2in between the ground and the eye of each anchor. We strongly recommend that your unit be anchored 36in from each leg although this may not be possible in all cases. **DO** install anchors as close to 36in away from legs as possible.

## Step 2

Tie anchor cable or rope around the connector at the top of each leg of the canopy.

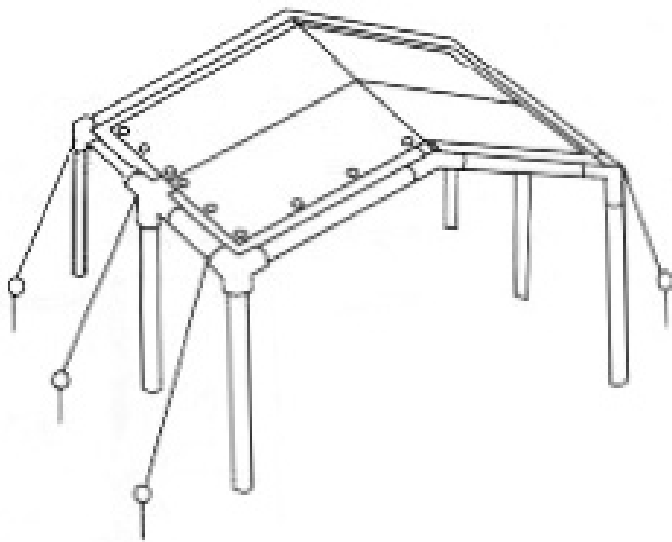
## Step 3

Securely tie the other end of the cable or rope through the eye of the anchor and pull tight.

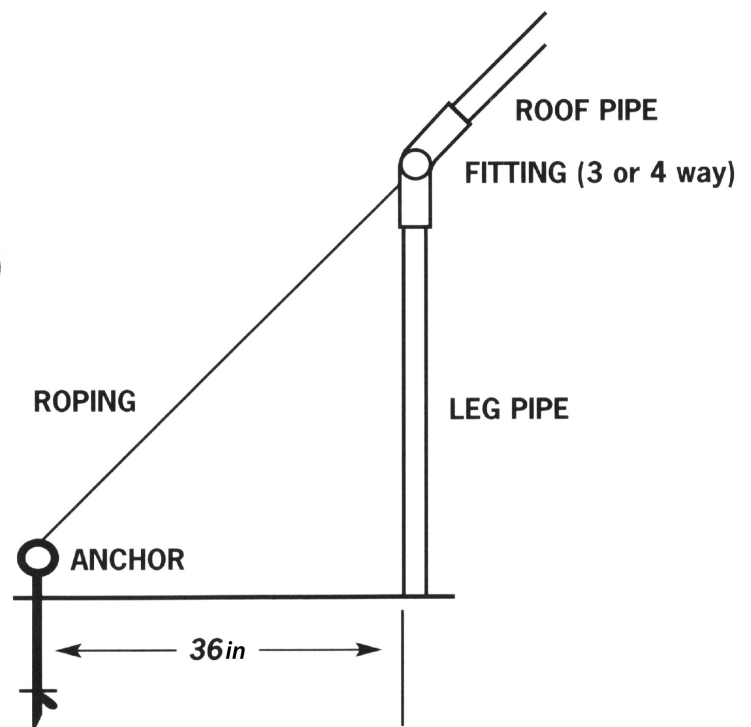
## Step 4

Now, continue to screw each anchor into the ground until the eye of the anchor is flush with the ground. This will secure the anchor rope even tighter.

**NOTE:** You should check and tighten the rope frequently to ensure maximum stability of your canopy and to protect against wind damage.



**ANCHOR KIT NOT INCLUDED  
WITH THIS CANOPY**



# IMPORTANT NOTICE: PLEASE READ CAREFULLY



**We are confident that you will be completely satisfied with your King Canopy unit. Please take a moment to read the very important information below, and call us with any questions you may have.**

King Canopy/PIC America, LTD. has no control over wind, snow, ice, rain or any other weather condition and we are in no way responsible for any damage caused by the canopy or to the canopy.

We suggest you contact your insurance carrier just as you would for any other outside structure.

## **OTHER PRECAUTIONS WHICH MUST BE FOLLOWED:**

Keep all flame and heat sources away from this tent fabric. The tent fabric will burn if left in continuous contact with any flame source.

DO NOT cook underneath or near canopy.

DO NOT store or use flammable liquids underneath or near canopy.

DO NOT ignite or store fireworks underneath or near canopy.

DO NOT use bleach to clean cover.

DO NOT dry clean cover.

DO NOT wash cover in washing machine or dry in dryer. Hand wash with mild soap and water only.

DO NOT allow rain water, snow or ice to accumulate on top of cover.

DO NOT hang or suspend anything from the frame, grommets, truss system or ball straps of the unit.

REMOVE canopy cover before a storm, or disassemble entire canopy unit if possible.

REMOVE rain water, snow and ice from canopy cover.

**This is a temporary structure and is not recommended for use as a permanent structure.**

# PRODUCT INFORMATION



## **Defective Parts**

We try our best to eliminate any defective parts that are shipped with our products. If, however, you should find a defective part, we will replace – free of charge – any part which is defective. You will need to provide proof of purchase showing date of purchase and provide us with detailed description of the defective component. Your replacement will be shipped by ground shipping, freight prepaid. Next day or express shipping will require freight collect and paid for by you, the consumer. Damages from improper anchoring, strong winds, snow, ice or rain are not considered defects.

## **Improper Anchoring, Strong Winds, Rain Snow, or Ice**

King Canopy/PIC America, LTD. does not guarantee these canopies under strong weather conditions. These canopies are designed to protect against damages caused by sun, rain, tree sap, birds, etc. They are not designed to hold roof loads that accompany snow, ice or heavy rains. If your canopy is not anchored securely, it can be lifted by the wind and will fly away. If your canopy takes flight, we are not responsible for any replacement. If you know strong weather is predicted, remove the cover or take down the canopy unit completely. The cover is designed to be quickly and easily removed.

## **Warranty**

All components of this canopy feature a 1-year limited warranty and are warranted to be free from defects in material and workmanship for a period of 1-year. You must complete and return the enclosed warranty card promptly after purchase. Please retain your proof of purchase receipt; you will be asked to provide this receipt in order to obtain warranty service.

## **Non-Warranty Replacement Parts**

If after expiration of the warranty period, you require replacement parts please contact us at 1-877-734-2458. We stock replacement parts and make them available to you at discounted prices. Our customer service department will be pleased to assist you in any way possible.

Certain regions of the country are extremely hard on covers of any kind. Normal wear and tear is not covered under the warranty, and should be expected.

In order to receive a discounted or free replacement part, you may be asked to return the part, freight prepaid, to our warehouse for inspection before we will send a replacement. You must, in all cases, provide a copy of your receipt showing the date of purchase, model number and price.