

Operation Instructions

OPENING AND CLOSING THE DAMPER

A. Open the damper before starting a fire.

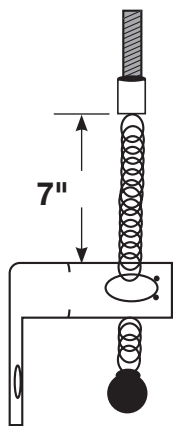
- Pull handle down slightly and release, allowing lug to pull up and hang freely about 7" above the bracket. (see illustration). If lug only hangs 1" to 2" above bracket, damper may not be open.

*Warning: Do not start a fire if damper is not clearly open.
Failure to follow this rule may cause smoke damage.*

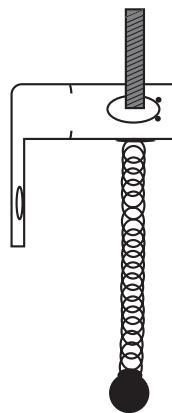
B. Close the damper after the fire is completely out.

- Pull handle down until lug is below bracket. Move cable into any notch in bracket and release handle.

Energy saving note: Closing the damper when fireplace is not in use will prevent heated or air-conditioned air from escaping out the chimney.



DAMPER OPEN



DAMPER CLOSED

Fire prevention warning: Remember to have your flue checked annually for creosote buildup by your local CSIA certified chimney sweep.

LIMITED LIFETIME WARRANTY

U. S. FIREPLACE PRODUCTS

U. S. FIREPLACE PRODUCTS warrants for the purchaser's lifetime that our Top Damper Fireplace Dampers, when reasonably maintained and used on solid fuel burning chimneys, shall be free from any defects in material or manufacturer's workmanship.

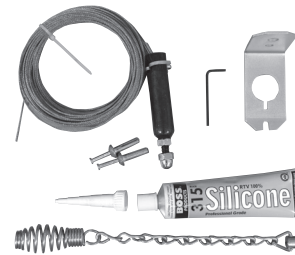
To make a claim under this warranty, return the Damper to the professional who sold it to you. Upon approval of your claim, U.S. FIREPLACE PRODUCTS will either repair or replace the Damper at our discretion. U. S. FIREPLACE PRODUCTS will not be liable for any incidental or consequential damages.

U.S. FIREPLACE PRODUCTS



TOP DAMPER

The Top Damper™ Installation and Operation Instructions



Bracket & nail anchors, Brass lug, Allen wrench, Adhesive, Stainless cable, Spring handle & chain

Top Damper is made of durable aluminum. It is designed to help save in heating and cooling bills; to help prevent down-drafts and odors; to keep out rain, snow, birds, and pests; and to help reduce outside noise.

PROFESSIONAL INSTALLATION RECOMMENDED

Some chimneys are difficult to access. U.S. FIREPLACE PRODUCTS recommends that you call your local CSIA certified chimney sweep to install your new damper and clean your chimney at the same time. This will not only help with the installation, but will help ensure that your flue is in good working condition.

SAFETY PRECAUTIONS

As with any product you install, especially on your roof, there are safety precautions, including:

- Using a ladder and working on your roof in a safe manner,
- Working on roof only in good weather, not in rain, ice, snow, or lightning,
- Making sure the damper will open properly before starting a fire,
- Using safety glasses when drilling,
- Using a masonry bit when drilling into masonry,
- Using only the adhesive provided.

In addition, be sure to check local codes and the appliance manufacturer before installing on flues venting gas fireplaces or gas appliances for use on gas fireplaces.

TOOLS NEEDED FOR INSTALLATION

To install The Top Damper, you will additionally need the following tools: drill, hammer, wire pliers, a 1/4" masonry drill bit and a open end or adjustable wrench to tighten the dome nut.

Not for use on any type of gas burning fireplace or appliance!

INSTALLATION STEP 1

BEFORE GOING ON THE ROOF

1. Locate the hardware bag

It contains a tube with dome nut, the 30' cable, the spring handle with chain, the bracket and the nail anchors.

2. Remove the dome nut from the end of the tube

Insert the threaded end of the tube through the hole in the damper lid. Tighten the dome nut snugly onto the tube with a 1/2" open ended wrench.

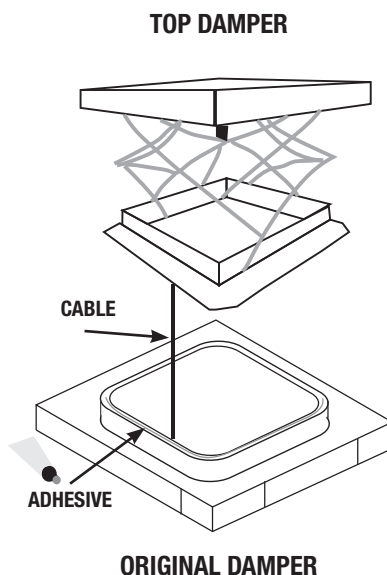
If any parts are missing, call U.S. FIREPLACE at 888-290-8181.

INSTALLATION STEP 2

ON THE ROOF

3. Spread a 1/4" bead of the adhesive, included, on the top of the flue tile or chimney opening. Insert cable and handle (pre-attached to tube) down the chimney flue making sure they extend into the fireplace.

4. Center the damper base on top of the flue tile/chimney and press down firmly on the frame. Fill any gaps with adhesive to ensure a proper seal. Allow the adhesive to set 24 hours before using the damper. If using an Access Plate, sold separately, center the Access Plate over the adhesive and press firmly. Then attach the damper to the Access Plate with screws (provided with the Access Plate).



** Important: Use only the adhesive furnished.*

Caution: Direct contact with adhesive will irritate eyes or skin. Read directions on tube carefully. Keep adhesive out of reach of children.

*Press the damper onto the flue liner.
Allow 24 hours to set before using fireplace.*

INSTALLATION STEP 3

AT THE FIREPLACE

5. To install the bracket, first choose the side of the firebox that the homeowner is most comfortable with reaching in to operate the damper (left or right side). Then drill a 1/4" hole in the firebrick towards the front of the fireplace, about 20" off of the firebox floor.

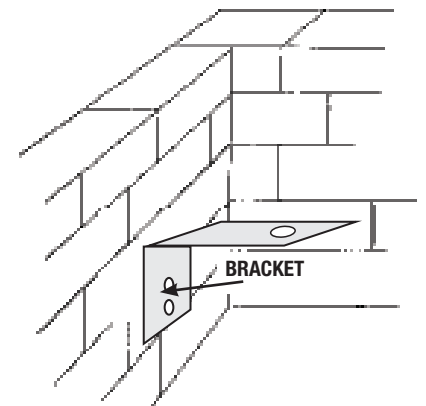
6. Insert one of the nail anchors, provided, through the top hole of bracket and the hole you just drilled and fasten. Make sure the bracket is straight, drill the second hole and secure with the remaining nail anchor.

7. Thread the handle, chain and cable through the bracket hole until all slack is out of cable. If desired, the handle may be secured to a notch on the outside of the bracket. Loosen the brass lug set screw with the Allen Wrench, provided, and slide it up the cable to secure the cable in the closed position in the bracket notch. Adjust the lugs position for the tightest seal. Tighten the set screw with the Allen Wrench. Cut and discard the excess cable. Close damper by pulling cable down and placing lug under bracket

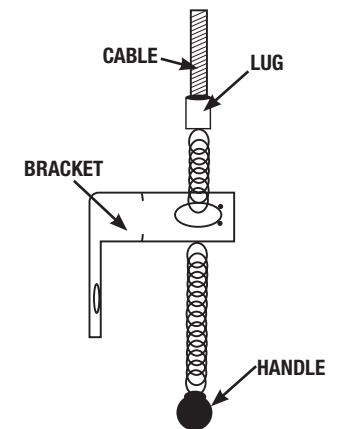
8. Return to the roof and check that damper is tightly sealed. If it is not, adjust lug upward for better seal, cut off excess cable.

9. Review the operation of The Top Damper with your customer so they are aware of how to use the damper.

Caution: Wear safety glasses when drilling. Use only masonry drill bit. Failure to do so can cause cracks in the firebox wall.



PLACEMENT OF BRACKET IN FIREBOX



BRACKET AND HANDLE ASSEMBLY

U.S. FIREPLACE PRODUCTS

86 Albrecht Dr. Lake Bluff, IL 60044.

888-290-8181 www.usfireplaceproducts.com

© 2020 U.S. Fireplace Products