

Installation Instructions



High-Temperature, Factory Insulated
Double-Wall Masonry Relining system
6" - 8", Round and Oval

DURRALINER

A MAJOR CAUSE OF VENT RELATED FIRES IS FAILURE TO MAINTAIN REQUIRED CLEARANCES (AIR SPACES) TO COMBUSTIBLE MATERIALS. IT IS OF THE UTMOST IMPORTANCE THAT DURALINER BE INSTALLED ONLY IN ACCORDANCE WITH THESE INSTRUCTIONS.

IMPORTANT:

Read through all of these instructions before beginning your installation. Failure to install this product as described in these instructions will void the manufacturer's warranty, may create a fire or other safety hazard, and may affect your homeowner's insurance and safety listing of your appliance.

Keep these instructions for future reference.

Dear Customer, Installer, or End User:

We welcome any comments regarding matters pertaining to our DuraVent products.

We welcome any ideas, input or complaints and I'll make sure that someone responds directly back to you.

Send your emails to:
president@duravent.com

If you are searching for tech support or product information, please phone us at 800-835-4429.

Or email us at:
techsupport@duravent.com



MH14420
CMH1329

DURALINER INSTALLATION INSTRUCTIONS

For the most up-to-date installation instructions, see www.duravent.com

CONTENTS

APPLICATION AND LISTING 5
AN IMPORTANT MESSAGE ABOUT RELINING YOUR CHIMNEY. 5
GENERAL INSTALLATION INSTRUCTIONS 6
MASONRY THIMBLE AND WALL PENETRATIONS. 11
EXTEND-A-CAP INSTALLATION 13
INSTALLING INSULATION SLEEVES. 15
DURALINER MAINTENANCE 17
WARRANTY 20

DURALINER

IMPORTANT MEASUREMENTS

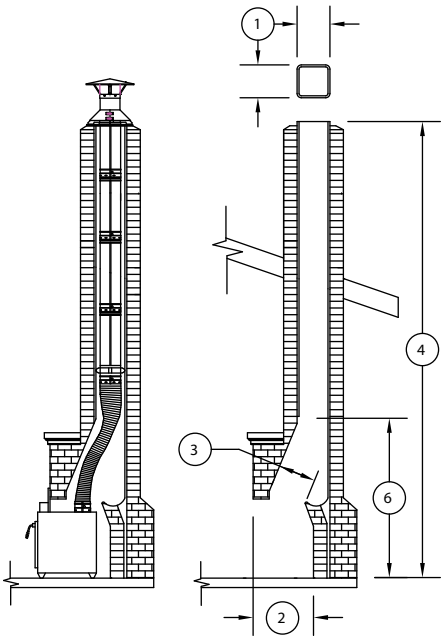


Figure 1

1. Flue size I.D.:

• _____

2. Opening of fireplace:

• height _____

• width _____

• depth _____

3. Damper opening:

• length _____

• width _____

4. Total chimney and fireplace height:

• _____

5. Total chimney height to tee opening:

• _____

6. Height to first tile:

• _____

7. Height of stove or insert:

• _____

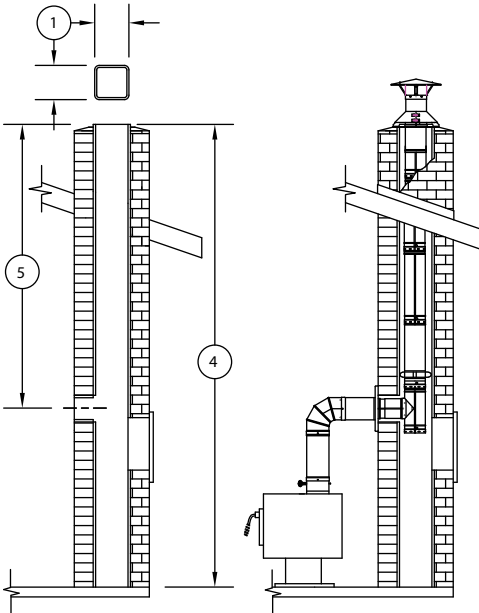
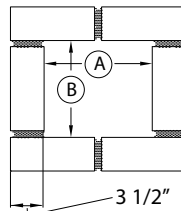


Figure 2



TYPE	A	B
6" ROUND	7"	7"
8" ROUND	9"	9"
6" OVAL	8"	5 1/2"
8" OVAL	11	5 1/2" - 6"

Figure 2a

APPLICATION AND LISTING

DuraLiner is a double-wall, insulated all-fuel reliner for masonry chimneys. DuraLiner is listed and approved for installation with zero clearance between the liner and masonry, plus zero clearance between the masonry and combustibles. The DuraLiner lining system is intended for field installation into new or existing masonry chimney used for natural draft venting of gas, liquid and solid-fuel fired residential type appliances in which the maximum continuous flue gas outlet temperatures do not exceed 1000OF/538OC (UL 1777) or 1200OF/650OC (ULC S635, ULC S640). DuraLiner is listed to the UL 1777 standard for Chimney Liners, under the listing file number MH14420. DuraLiner is also listed to the Canadian Standards ULC S635 and ULC S640 for lining new and existing masonry chimneys, under the listing file number CMH1329. DuraLiner meets all the thermal, mechanical and material requirements of the UL1777, ULC S635, & ULC S640 standards.

AN IMPORTANT MESSAGE ABOUT RELINING YOUR CHIMNEY

1. Have a professional installer thoroughly clean, and install your new appliance and relining system.
2. Determine condition of creosote buildup in masonry flue, always clean before relining. Any tar glaze creosote buildup must be removed prior to relining the chimney.
3. Determine condition of masonry fireplace and chimney. See that they meet code requirements. The chimney should be checked for cracked, loose or missing bricks, mortar, or other materials that could inhibit a correct installation of the liner system. Make necessary repairs before relining.
4. The air space clearances between the masonry chimney exterior and combustible

materials should be checked to verify that the chimney is in accordance with the clearance specifications of 1) the NFPA; 2) other applicable building codes; or 3) these instructions (DuraLiner is approved for 0" clearance if installed in accordance with these instructions).

5. Determine if your setup is an open hearth (**Figure 1**) or tee installation (**Figure 2**). Also determine the available size of your chimney (**Figure 2a**) and the corresponding allowable DuraLiner size. (**Chart 2a**)
6. If you have an open hearth setup, verify your flue size, and the fireplace opening and depth before you purchase your appliance and reliner. (**See Figure 1**)
7. If you have a tee installation setup, verify your flue size and chimney height from tee, before you purchase your appliance and reliner. (**Figure 2**)
8. After selection of proper size appliance, determine the correct size of DuraLiner and Stove Connector to the appliance. (Follow stove manufacturer's recommendations). There are three different types of connections: (**See Figure 3**).
 - a. Round, for top flue exit.
 - b. Round, for rear flue exit.
 - c. Rectangular, for top flue exit
9. Chimney flue size (**Figure 1**) determines the size top you select. (See catalog for details).

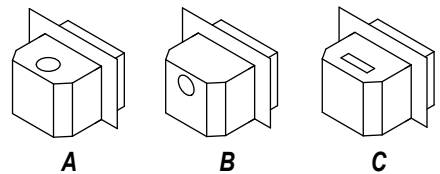


Figure 3

10. Necessary tools and equipment you may need:

Ladder	Vicegrips
Safety Glasses	Light Rope
Gloves	Snips
Tape Measure	Drill & 5/32"
Twist Drill Bit	Metal Saw
Hammer	Screwdriver
Pop Rivet Gun	
High Temperature Waterproof Sealant	

Make sure all equipment is in good condition.

11. Safety Tips:

- Do not go on roof when wet or icy.
- Sheet metal parts have sharp edges, wear gloves.
- Safety Glasses.
- Safety Hat.

Practice good workmanship. Sloppy work could jeopardize your installation.

12. Clearances: DuraVent's DuraLiner is listed by Underwriters Laboratories (UL & ULC) as a liner for listed all-fuel burning appliances. DuraLiner is designed and listed for installation in masonry chimneys only. The minimum clearance from pipe to masonry construction is "0". Never fill any required clearance (air space) with combustible or noncombustible materials. DuraLiner shall be sized not less than that specified in the appliance manufacturer's instructions.

13. Permits: Contact your local building official or fire department regarding permits, restrictions, and installation inspection in your area.

GENERAL INSTALLATION INSTRUCTIONS

Choose an appliance that is listed by a recognized testing laboratory.

a. Follow the appliance manufacturer's instructions.

- b.** Connect only one flue liner per appliance.
- c.** DO NOT mix or match with other products or improvise solutions. (You may void warranties.) DO NOT modify parts.
- d.** Follow the appliance manufacturer's instructions and manual for maximum efficiency and safety. Over firing can damage the appliance and lining system.

Follow these basic assembly instructions when installing DuraLiner in the open hearth installation (**Figure 1**). For tee installations, refer to the Tee Installation section of these instructions. The oval liner fits together in the same manner as the round liner.

STEP ONE: If needed, remove the existing damper from your fireplace to allow liner to fit. Your fireplace insert or stove and DuraLiner are designed to work without your existing damper. In order to install the DuraLiner, you must remove the damper and in some cases part of the smoke shelf, to allow DuraLiner to pass through this area freely. Note: DuraLiner flex pipe is available in both round and oval shapes to ease installation.

Now that the old damper assembly and part of the smoke shelf has been removed, the chimney and fireplace should be free from obstructions.

STEP TWO: The DuraLiner system is held in place by the framework at the top of the chimney is designed to support the weight of a relining system up to 50 feet. The minimum height of system must be at least 10-feet to insure proper drafting performance. The top comes assembled. You must take the top apart to get the bottom frame in place. The top has six major components: Top, Screen, Secondary Top, Frame, Slip Connector and Hanger. (**See Figure 4**) Place frame on top of masonry chimney, the weight of the DuraLiner

will hold the top in place. We also provide screws that may be attached to bottom of frame and attached tile. (See Figure 5).

STEP THREE: All DuraLiner pipe (flex and rigid) has male and female connectors with (4) pre-punched holes and slots that line up and are connected with stainless steel pop rivets. Do not use screws. When connecting sections of flex pipe, it is necessary to first align the holes with the slots, and then drill through the flex pipe with a 5/32" (4 mm) diameter twist drill bit. Next, install the pop rivets. Drilling is not needed to connect sections of rigid pipe. Connect first rigid section of DuraLiner on top of flex section with (4) stainless steel pop rivets.

Note: The DuraLiner flex sections can be easily insulated with the Two-Ply Insulation Sleeve. This blanket insulating sleeve permits complete flexibility. It is held in place by simple strap clamps that are secured with bolt and nut at each end of DuraLiner flexible pipe lengths. Refer to the Insulation Sleeve Instruction section.

From the stove, up through the damper to the first flue tile, it is NOT mandatory to use an Insulation Sleeve. Above the first flue tile, flex pipe must be insulated. (**NOTE: For improved draft and fire safety, we recommend the use of an insulation sleeve on all flex pipes.**)

After pipe is riveted together, lower through the Frame of DuraLiner Top and hold in position. Each DuraLiner pipe section is then riveted and lowered down the chimney. This procedure is repeated until the flex section reaches the smoke shelf area. As the pipe is being lowered further down, bend the flex pipe to fit through the damper. (See Figure 7a and

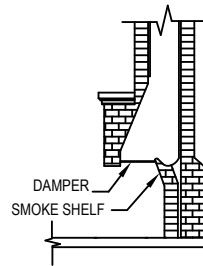
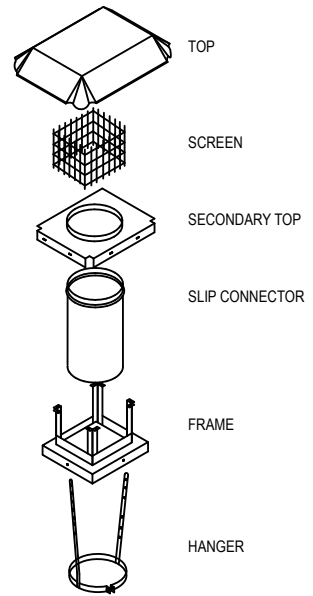


Figure 4

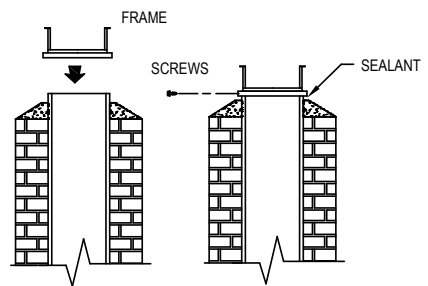


Figure 5

7b)

STEP FOUR: Before you rivet the last section of pipe in place, attach the hanger to the last section of pipe just below the bead. (See **Figure 8**)

Attach the hanger strap holder to the last hole

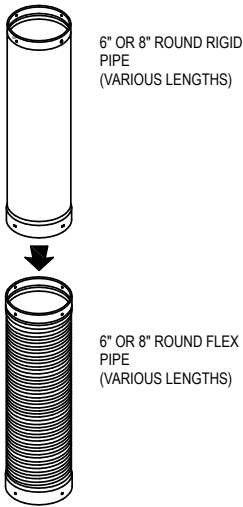


Figure 6

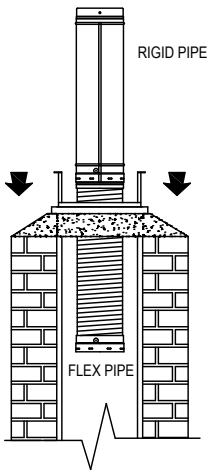


Figure 7a

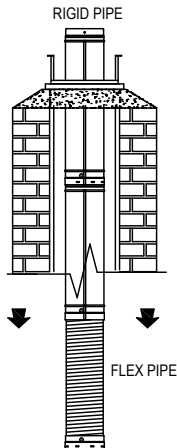


Figure 7b

on the strap. (See **Figure 8**) Lower DuraLiner to final position. (See **Figure 9**) If appliance has top flue exit, hold approximately 1/2" above connector. (See **Figure 13**) If appliance has rear flue exit, line up branch of tee with connector. (See **Figure 16**)

Attach hanger strap to holes in chimney top frame. Secure with nut and bolt. (See **Figure 10**)

STEP FIVE: Stove top connector - round and oval. Attach the proper Stove Connector to your insert or stove. (See **Figure 3**) The DuraLiner round Stove Connector fits either a top vented found flue appliance or a rear vented round flue appliance. Place the proper sized connector over the flue exit and mark on the insert or stove the locations of the holes where the connector will be attached. (See **Figure 11a or 11b**)

Drill and tap hole in top or rear of appliance or use self tapping screws. Before attaching permanently, put a bead of high temperature sealant between stove connector and insert. (See **Figure 11a and 11b**)

The DuraLiner oval Stove Connector fits on top vented appliances or inserts with oval or rectangular openings. (See **Figure 12**) Attach same as in round openings. (See **Figure 11a**)

STEP SIX: Connect stove or insert to DuraLiner. When connecting DuraLiner to top-exiting appliance outlets, follow this procedure. After stove or insert has been set in proper location, pull flex pipe down over Stove Connector and pop rivet or screw together. (See **Figure 1**) If the flex pipe does not provide sufficient height adjustment, further adjustment may be made by selecting a different set of holes on the DuraLiner Hanger at the top of the system. The Slip Connector will accommodate up to 10" adjustment.

Note: If you have a round flue outlet on

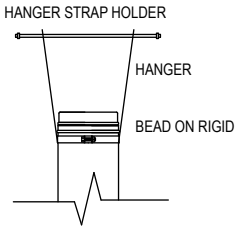


Figure 8

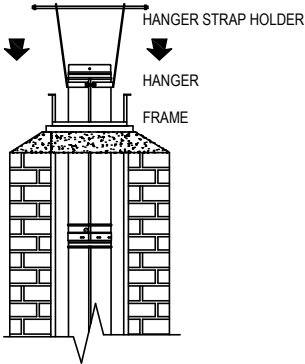


Figure 9

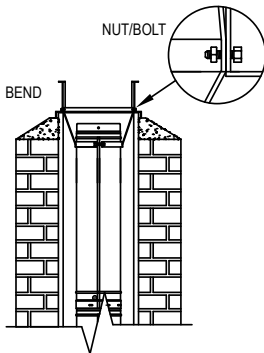


Figure 10

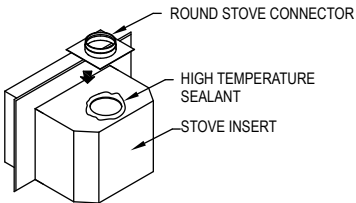


Figure 11a

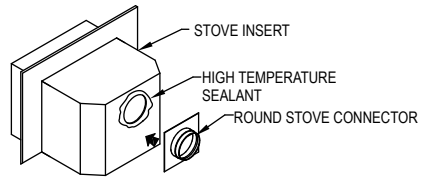


Figure 11b

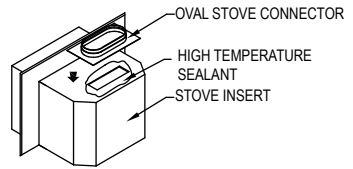


Figure 12

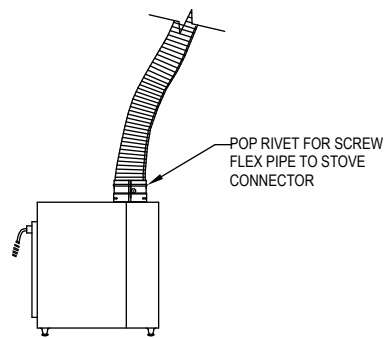
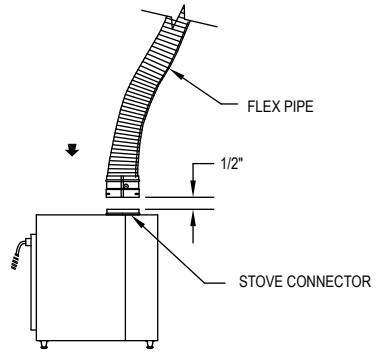


Figure 13

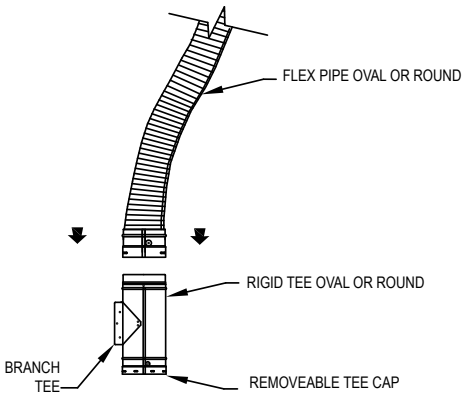


Figure 14

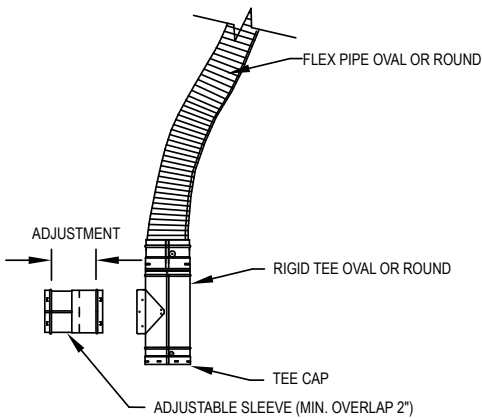


Figure 15

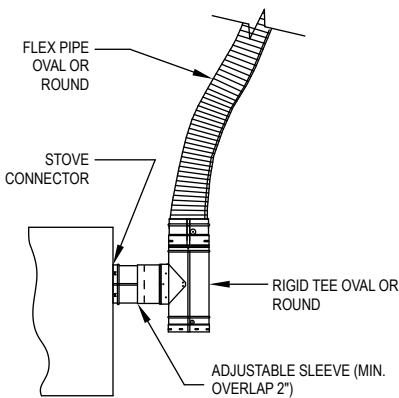


Figure 16

your stove, and you have used Oval Flex or Oval-To-Round flex through the damper area, a 14" Round-To-Oval flexible pipe adapter will be required for the stove connection. (See Catalog)

If stove or insert has a round rear exit, attach round or oval Tee to bottom of flex pipe. (See **Figure 14**) Line up branch of Tee with stove outlet.

When branch of tee is aligned with rear exit of appliance, attach DuraLiner Adjustable Sleeve to branch. The Adjustable Sleeve has pre-formed buttons. (See **Figure 15**) The buttons snap into branch ring. Slide stove or insert into proper position. Adjust pipe and snap into back of stove. Secure Adjustable Sleeve in final position with sheet metal screws. Rear flue exit should look like **Figure 16**.

STEP SEVEN: Now you are ready to do the final top assembly. Take the slip connector and attach to Secondary Top. This is held in place by pre-formed buttons. (NOTE: with oval pipe the Slip Connector pipe must be attached to the Secondary Top with pop rivets in four pre-punched holes.) (See **Figure 17**) When this is done, slide Slip Connector into DuraLiner and over chimney top Frame. Attach Secondary Top to frame using eight screws. (See **Figure 18**) **Note: See page 17 for supplement (L403) that provides instructions for installing a through-the-wall system which penetrates a combustible wall, goes into an existing masonry chimney, and connects to a Dura-Liner Relining System.**

After Secondary Top is attached to Frame, slide Screen into position between legs of Frame (optional). Put Top on (4) legs, line up pre-punched holes and bolt firmly into position. (See **Figure 19**)

Note: National Fire Protection Association

standard #211 states; “Chimneys shall extend at least three feet above the highest point where they pass through roof of a building and at least two feet higher than any portion of a building within ten feet.” (See *NFPA 211 Example*)

MASONRY THIMBLE AND WALL PENETRATIONS

Follow these basic assembly instructions when installing DuraLiner in a Tee installation, as shown in *Figure 2*. (Note: Wall penetration assemblies shall not be located directly behind a heating appliance.)

STEP ONE: If a Masonry Thimble is used as a wall pass through for a Tee installation, you must maintain proper clearances to combustibles from the connector pipe. (See *Figure 20*)

STEP TWO: All DuraLiner pipe, flex or rigid, has male and female connectors with prepunched holes and slots that line up and are connected with stainless steel pop rivets. Do not use screws. When connecting sections of flex pipe, it is necessary to first align the holes with the slots, and then drill through the flex pipe with a 5/32" (4 mm) diameter drill. Next, install the pop rivets. Drilling is not needed to connect sections of rigid pipe. Connect first rigid section of DuraLiner on top of Tee with four stainless steel rivets. (See *Figure 21*) After pipe and Tee are riveted together, lower them down through the Frame of DuraLiner Top and hold in position. Each DuraLiner pipe section is then riveted and lowered down the chimney. This procedure is repeated until the Tee reaches the masonry opening.

STEP THREE: Before you rivet the last section of pipe in place, attach the Hanger to

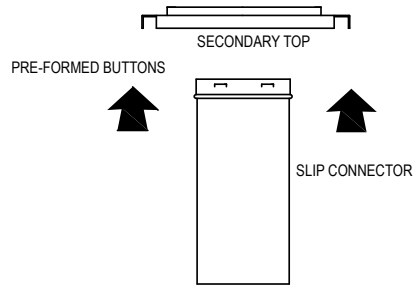


Figure 17

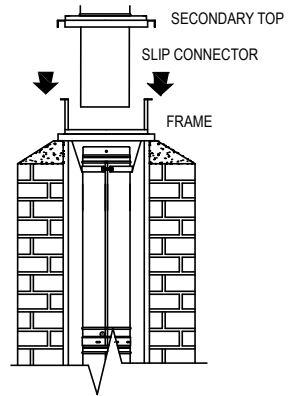


Figure 18

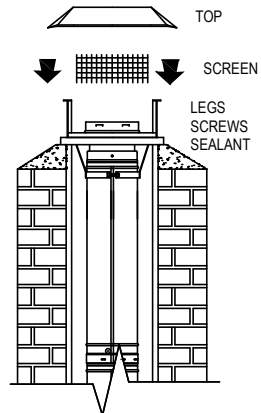
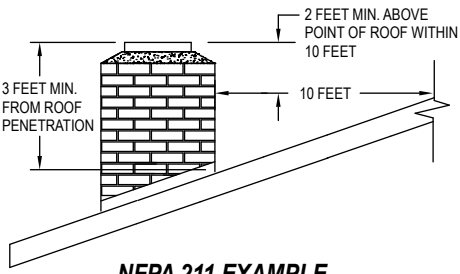


Figure 19



NFPA 211 EXAMPLE

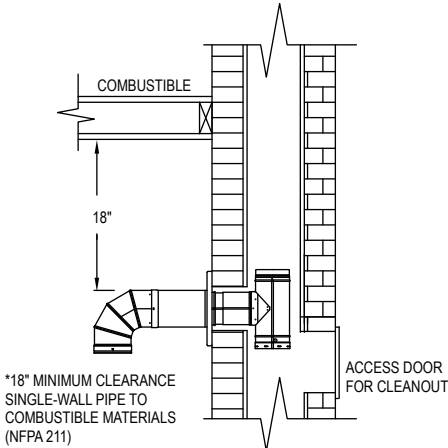


Figure 20

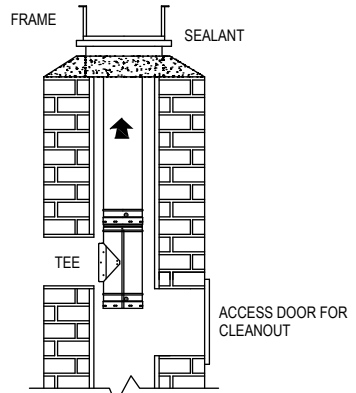


Figure 22

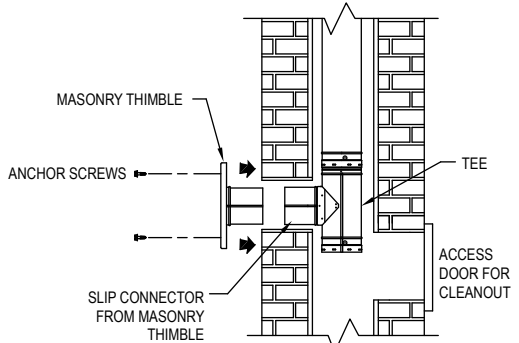


Figure 23

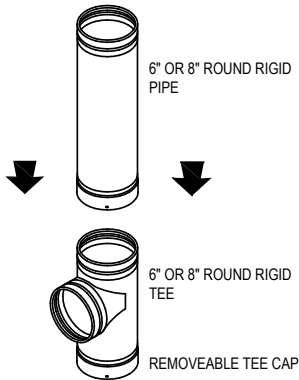


Figure 21

the pipe just below the top on the last of the rigid DuraLiner pipe. (See Figure 8) As the DuraLiner rigid pipe is being lowered into final position, line up the branch of the Tee with hole in the masonry chimney wall. (See Figure 22).

When branch of tee is in line with hole in wall of masonry chimney, attach slip connector from the Masonry Thimble. The Slip Connector has preformed buttons. The buttons snap into branch ring. Slide Thimble section into slip connector and attach black finishing ring to wall of chimney using screws. (See Figure 23).

EXTEND-A-CAP INSTALLATION

The Extended-A-Cap is used with a DuraLiner system when it is desired to extend the length above the level of the existing masonry for the purpose of improving draft, to accommodate remodeling, to comply with safety requirements for height of chimney above the roof, or as an alternative to the Standard Termination.

NOTE: See *figure 39* for updated drawing.

Refer to the General Installation Instructions for the majority of the installation. Extend-A-Cap installation only refers to the top of the DuraLiner installation, and is used instead of the Standard Termination. All notes, warnings, maintenance procedures, clearance, and basic instructions contained in the General Installation Instructions are applicable to the Extend-A-Cap. An exploded diagram of the Extend-A-Cap is shown in *Fig. 24*. The cap may be installed on both round and oval rigid systems.

STEP ONE: Center the base plate on the top of the masonry chimney as shown in *Fig. 25*. Trim to fit the chimney as required. Use non-hardening sealant to seal the base plate to the masonry chimney, but this can be done after the liner has been lowered into place. Anchors or screws are recommended but not required, as the base plate will ultimately be supporting the entire weight of the installation.

STEP TWO: Position the clamp assembly on top of the base as shown in *Figure 26*. Adjust the bolts on the clamp assembly so that pipe sections will just pass through the clamp.

STEP THREE: If needed, remove the existing damper from the fireplace, as stated in STEP ONE on page 5 of the General Installation Instructions. It may be necessary to remove

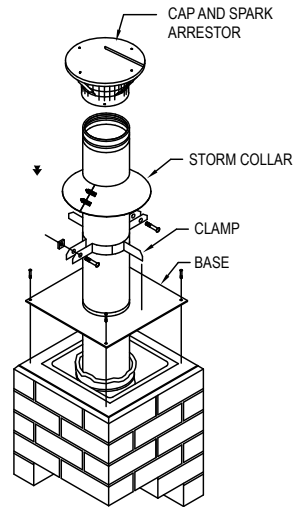


Figure 24

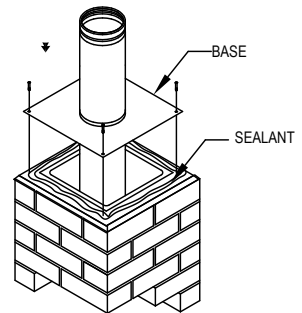


Figure 25

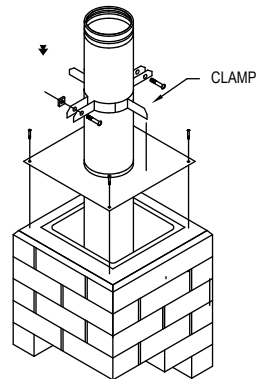


Figure 26

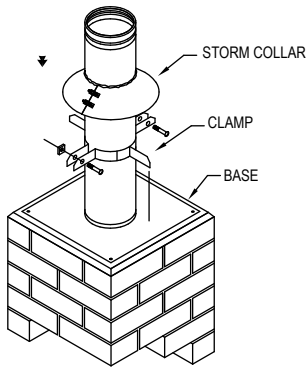


Figure 27

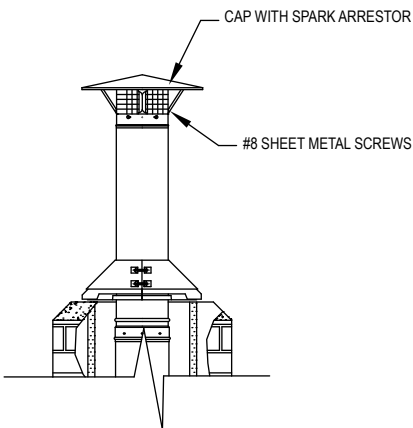
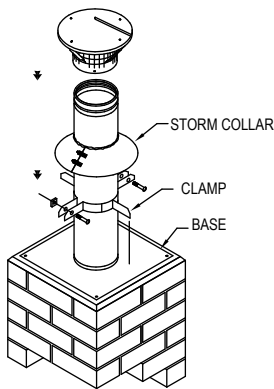


Figure 28

part of the smoke shelf to allow the liner sections to pass through the throat.

STEP FOUR: After the basic measurements have been taken, and the correct parts are on hand, begin assembling the pipe sections as described in STEP THREE of the General Installation Instructions. Alternately tighten and loosen the clamp assembly to hold and lower the pipe sections as they are assembled with pop rivets.

STEP FIVE: Once the desired length of liner has been achieved, tighten the clamp assembly bolts, until the system is firmly supported by the base. Attach the storm collar, and seal with non-hardening sealant as shown in **Figure 28**.

STEP SIX: Install the cap, using #8 sheet metal screws, as shown in **Fig. 28**. If the cap is 4-feet or more above the top of the masonry chimney, use an extended roof bracket as shown in **Fig. 29**.

STEP SEVEN: Complete the connection of your stove or insert as described in STEP FIVE of the General Installation Instructions.

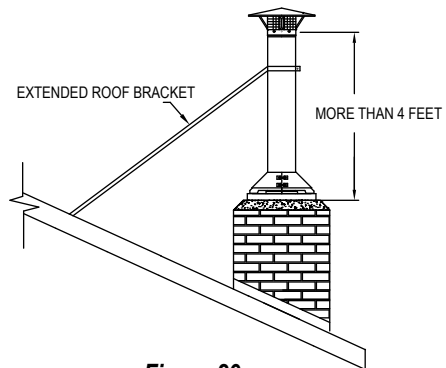


Figure 29

The Maintenance Instructions contained in these Installation Instructions are all applicable to the Extend-A-Cap installation, other than cap removal, which is accomplished by removing the four sheet metal screws holding the band to the pipe section.

DuraLiner systems are designed solely for relining masonry chimneys, therefore no clearances to combustibles have been established for these systems outside of masonry chimneys. In view of this, do not construct chases or other enclosures around DuraLiner pipe sections which extend above the masonry.

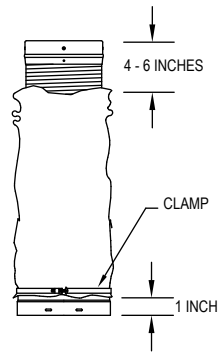


Figure 30

INSTALLING INSULATION SLEEVES

In a situation where the chimney liner consists of rigid sections, except for the first section of flex pipe, as shown in **Figure 6** and it is desired to insulate the flex pipe, follow the steps listed below:

STEP ONE: Slip the proper size of the Two-Ply Insulation Sleeve over the flex pipe, and position it approximately 1" up from the bottom.

(See Figure 30) Install the bottom insulation sleeve clamp, and push the top of the sleeve down 4" to 6". Position clamps so that the nut and bolt connections are pointing towards the corner of a rectangular chimney.

STEP TWO: Connect the first rigid section of pipe to the top of the flex pipe using stainless steel pop rivets, as described in the General Installation Instructions. **(See Figure 6)**

STEP THREE: Push the insulation sleeve back to its full length and secure it with an insulation sleeve clamp. **(See Figure 31)**

STEP FOUR: From this point on, follow the general instructions as written. Refer to **Figure 6, 7a, 7b, 8, 9 and 10**. The liner should now be ready to be attached to the appliance. **(Figure 32).**



Figure 31

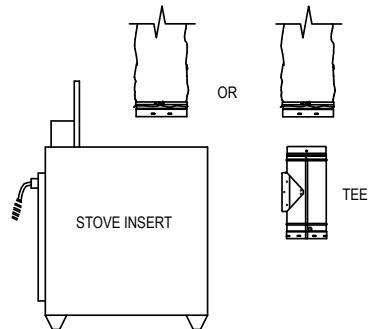


Figure 32

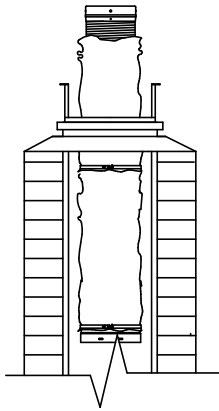


Figure 33

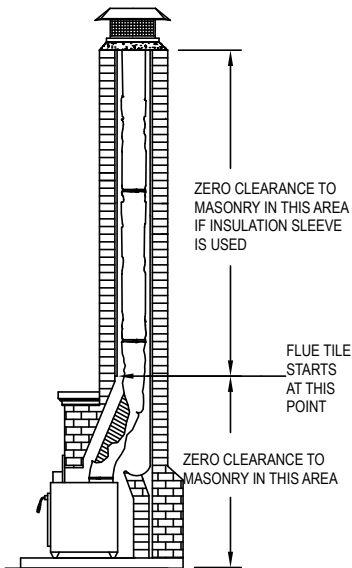


Figure 34

STEP FIVE: Secure the flex pipe to the insert or tee as shown in **Figure 13** or **Figure 14** of the General Installation Instructions.

STEP SIX: After attaching the insert or the tee, proceed with the remainder of the General Installation Instructions.

In situations where the chimney liner will consist totally of flex-pipe, insulate the entire length and follow the steps listed below:

STEP ONE: Slip the appropriate sized insulation sleeve over the first section of flex-pipe and position as shown in **Figure 30**. Lower the first section down the chimney approximately $\frac{3}{4}$ of its length, and hold in place.

STEP TWO: Connect the second section of flex-pipe to the first section by means of stainless steel pop rivets as described in the general installation instructions.

STEP THREE: Slip another length of insulation sleeve over the second section of flex-pipe. Pull up the top of the lower section of insulation shield so it overlaps the top section by 1" to 2" and attach an insulation sleeve clamp as shown in **Figure 33**.

STEP FOUR: Lower the assembly down the chimney. Repeat steps and three until the desired length is achieved.

STEP FIVE: Complete the installation as described in the General Installation Instructions. Complete insulated system shown in **Figure 34**.

SUPPLEMENT TO INSTALLATION AND OPERATION INSTRUCTIONS FOR DURA-LINER AND DIRECT-CONNECT MASONRY RELINING SYSTEMS. (L403)

This supplement provides instructions for installing a through-the-wall system which penetrates a combustible wall, goes into an existing masonry chimney, and connects to a Dura-Liner Relining System. All of the general

instructions, safety precautions, and required tools, which are shown in the basic Dura-Liner and DirectConnect System instructions (L402) are applicable to this supplement. The basic Dura-Liner Instruction must be referred to as well as this supplement at the time of installation.

Some additional tools may be required: Saber Saw, Center Punch, Small Level

The completed installation is shown in **Figure39.**

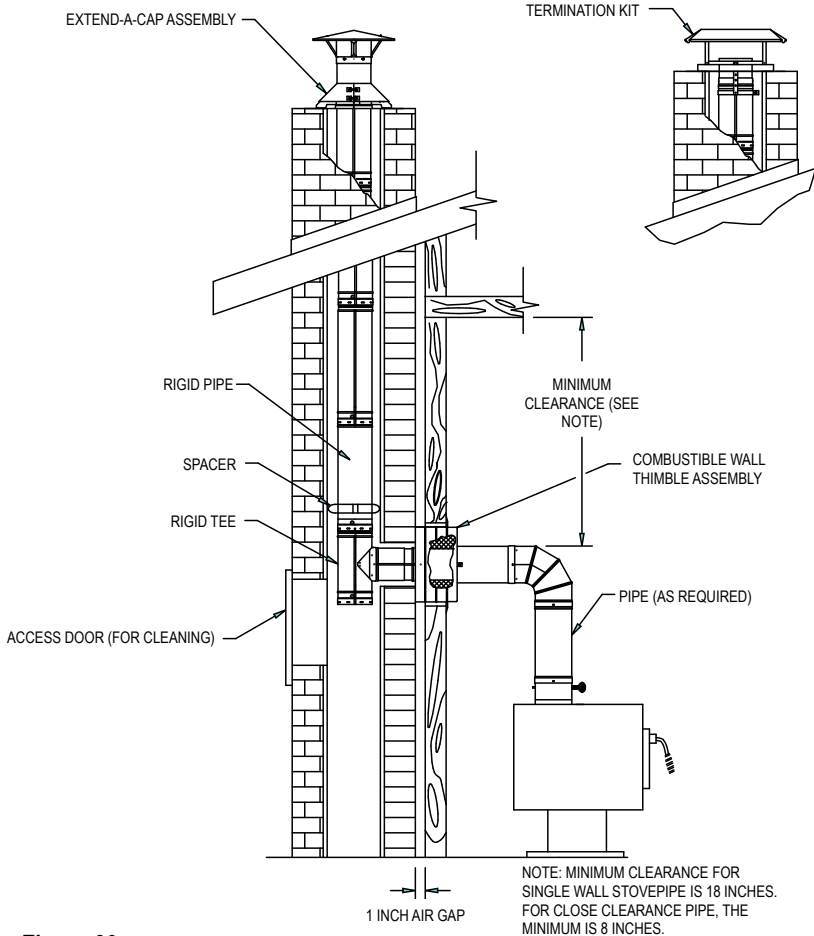


Figure 39

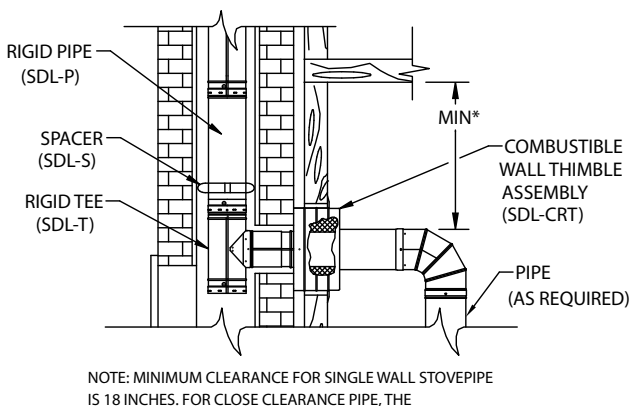


Figure 40

Step 1: Assuming that all preliminary inspection and cleaning of the masonry chimney has been completed, remove any existing thimbles, sleeves or connectors.

Step 2: If no hole exists in the masonry, mark the center point for the location of penetration into the combustible wall. Before cutting or drilling, check the clearance between the top of the connecting pipe to the ceiling, as shown in **Figure 40**. The minimum clearance for single wall pipe is 18 inches, and for Close Clearance Connector Pipe, 8 inches. The system is designed to attach to the appliance with Close Connector Pipe and Fittings. Consequently, DuraVent strongly recommends using this specific pipe as a connector.

Scribe a circle from the center point on the wall with a 7-1/4 inch radius (14-1/2 inch diameter). This is the size of the hole required for the insulated thimble to fit through the combustible wall. Again, before cutting this hole, check the clearance from the top of the Connector Pipe to the ceiling. The diameter of the Rigid Pipe Section (which protrudes 10 inches from the

front of the thimble) is 7 inches, or 9 inches, depending on whether 6-inch or 8-inch pipe is used, for reference.

Step 3: If the minimum clearance to the combustible ceiling is met, then drill a 3/8 inch diameter hole through the combustible wall, at the center of the 14-1/2 inch circle you have inscribed. With a punch, mark the center on the masonry behind the wall. Note that there should be a 1 inch (minimum) air gap between the combustible wall and the masonry. If this minimum air gap does not exist, then the masonry chimney is not in compliance with safe building practices. With a saber saw, cut the 14-1/2 inch diameter hole in the wall. If it is necessary to cut through studs, additional framing should be installed to maintain the structural integrity of the wall.

Step 4: Using the center mark punched into the masonry, inscribe a circle of 3- 1/4 inch radius (6-1/2 inch diameter), or 4-1/4 inch radius (8-1/2 inch diameter), depending upon whether 6 inch or 8 inch Dura-Liner Pipe is used. Remove bricks as necessary to approximate a circle. Smooth out the

circumference of the hole with high-temperature grout or mortar. Maintain the concentricity of this hole with the hole cut in the combustible wall. The completed hole should look like **Figure 41**.

Step 5: If you are only installing a Wall Pass-Through Installation, and not connecting to a DuraLiner Tee and Pipe, complete Step 5. Otherwise, go to Step 6. Push the Adjustable Sleeve through the masonry until the end is flush with the inside of the flue liner. Grout in place with a high temperature grout, as shown in **Figure 42**. Skip to Step 9 of this addendum, and complete Steps 9 thru 14.

Step 6: Refer to the Basic DuraLiner Instruction to obtain the required measurements as stated in **Figure 2**. Using these dimensions, calculate the number and lengths of pipe sections required.

Step 7: Install the Chimney Cap Frame as described in **Figure 4a**.

Step 8: Connect the Tee to the first section of Pipe, as shown in **Figure 18**. Follow Steps 3, 4, and 5 (**Figures 19 and 20**) on page 10 & 11. Once the Adjustable Sleeve Component of the Insulated Thimble Assembly is pushed into the Tee, caulk with a high-temperature masonry / fireplace grout, as shown in Step 9. Slide the Insulated Wall Thimble into the Adjustable Sleeve and through the wall, until the base of the Thimble is flush against the masonry, as shown in **Figure 43**.

Step 10: Attach the 10" long Rigid Pipe Section to the front to the Insulated Wall thimble with four sheet screws through the L-brackets. Refer to Figures 45 and 46 of this addendum.

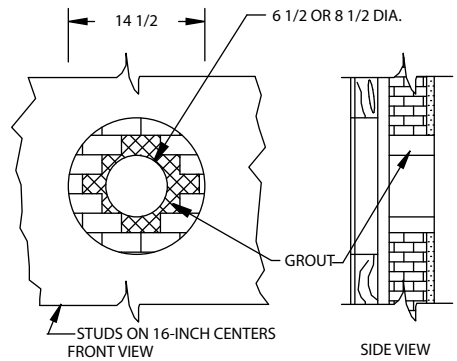


Figure 41

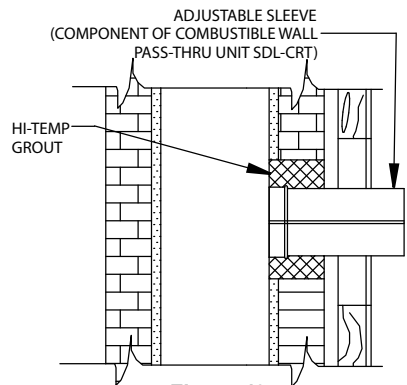


Figure 42

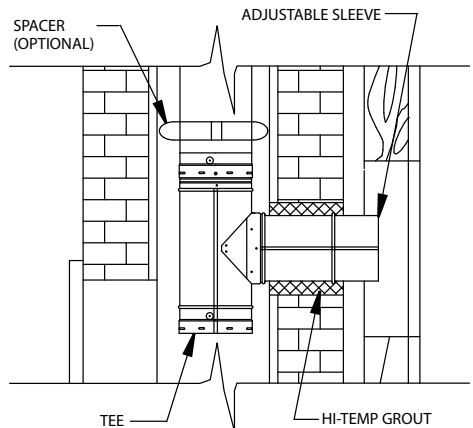


Figure 43

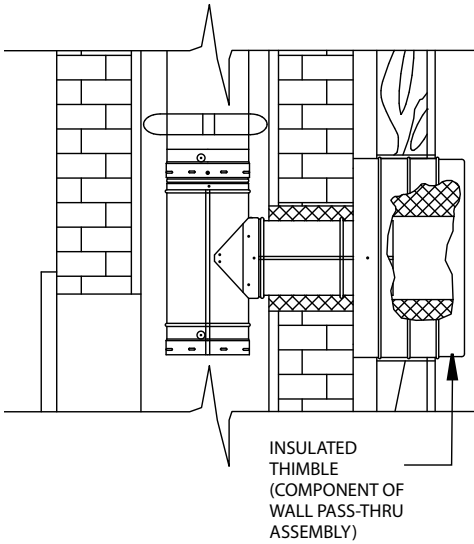


Figure 44

Step 11: Slip the Trim Collar over the Wall Thimble. Place a small level along the top of the Rigid Section. By small vertical movements of the Wall Thimble and Pipe, level the assembly as shown in **Figure 44**. When it is level, mark the holes in the Collar. Screw the trim collar to the wall, with wood screws or dry wall fasteners, as appropriate.

Step 12: Position the appliance, at it's final location. Check the appliance manufacturer's installation instructions to ensure proper positioning with relation to combustibles.

Step 13: Complete the installation with Close Connector Pipe Sections and Fittings as required.

Step 14: Inspect the completed job to ensure it is done in a careful and workman-like manner.

Allow the grout sufficient time to dry before firing. Do not over-fire, and follow the stove manufacturer's instructions in regards to stove operation.

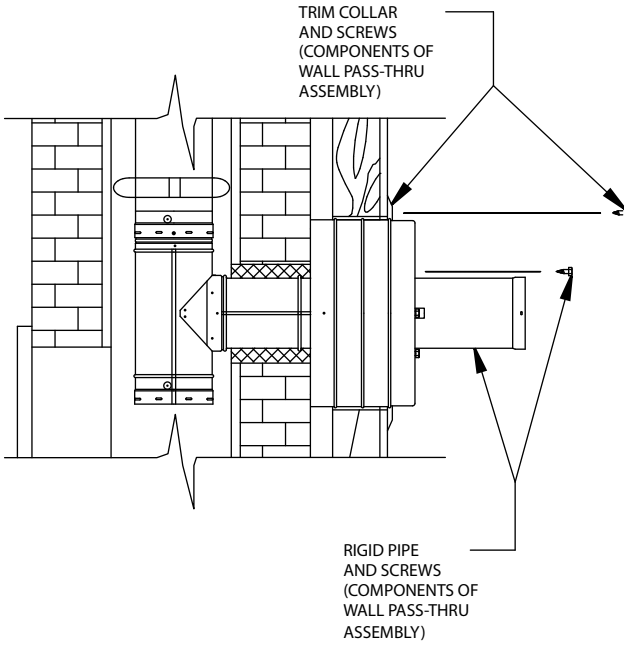


Figure 45

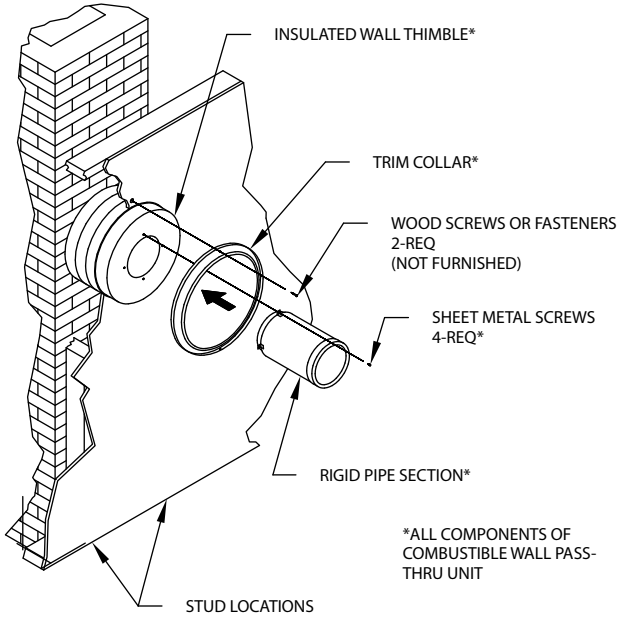


Figure 46

DURALINER MAINTENANCE INSTRUCTIONS

Creosote and Soot-Formation and Need for Removal:

When wood is burned slowly, it produces tar and other organic vapors, which combine with expelled moisture to form creosote. The creosote vapors may condense on the inside of the chimney liner during slow-burning firing periods. As a result, creosote residue accumulates on the chimney liner. When ignited, this creosote makes an extremely hot fire.

1. Access – Chimney liners must be installed so that access is provided for inspection and cleaning.

2. When to Clean – The chimney liner should be inspected at least once every two months during the heating season to determine if creosote or soot buildup has occurred. Check spark arrestor screens every 2-4 weeks. If creosote or soot has accumulated, it should be removed to reduce the risk of chimney fire. At a minimum, the liner must be cleaned at least once a year.

3. How to Clean – Have your chimney liner cleaned by a professional certified chimney sweep if you have doubts about your ability to clean it. Use a plastic, wood, or flexible steel or wire brush. Do not use a brush that will mar the stainless steel liner surface. Scrub the spark arrestor with a wire brush.

To remove the chimney cap for cleaning, unscrew the four screws that attach the cap's support legs to the cap base.

4. Coal – To reduce corrosion in chimneys where coal is burned, clean the chimney thoroughly within 48 hours of shutting down the stove for the season. Check the chimney's lining for acid corrosion regularly.

5. No Chemical Cleaners – Do not use chemical chimney cleaners. Their use does not eliminate the need for mechanical cleaning and they may be highly corrosive.

6. In case of Fire – If a flue fire occurs, close all appliance draft openings and call your Fire Department. Do not use the chimney again until it is inspected for possible damage.

7. Flues – Connect only one solid fuel appliance per chimney liner. DuraLiner shall be sized not less than that specified in the appliance manufacturer's instructions.

8. Appliance – Choose an appliance that is listed by a recognized testing and listing agency and is not larger than you need.

M&G DURAVENT WARRANTY

M&G DuraVent, Inc. ("DuraVent") provides this limited lifetime warranty for all of its products to the original purchaser, with the exception of Ventinox (lifetime), DuraBlack (five years) and all Termination Caps (five years). Subject to the limitations set forth below, DuraVent warrants that its products will be free from substantial defects in material or manufacturing, if properly installed, maintained and used. This Warranty is non-transferable with the exception of Ventinox which is transferable from the original homeowner to the buyer of the home for a period of ten (10) years. This warranty does not cover normal wear and tear, smoke damage or damage caused by chimney fires, acts of God, or any product that was: (1) purchased other than from an authorized DuraVent dealer, retailer or distributor; (2) modified or altered; (3) improperly serviced, inspected or cleaned; or (4) subject to negligence or any use not in accordance with the printed materials provided with the product as determined by DuraVent. This limited lifetime warranty applies only to parts manufactured by DuraVent.

DuraVent provides the following warranties for its products: One Hundred Percent (100%) of the purchase price or MSRP at time of purchase, whichever is lower, for 15 years from the date of purchase, and Fifty Percent (50%) thereafter, except for the following limitations: Ventinox liner and components in wood, oil, wood pellet, and gas installations are warranted at One Hundred Percent (100%) for the lifetime of the original homeowner; Ventinox 316 liner and components for coal burning installations which are warranted One Hundred Percent (100%) for ten years; all Termination Caps and DuraBlack® are warranted at One Hundred Percent (100%) for five years, and at Ten Percent (10%) thereafter.

All warranty obligations of DuraVent shall be limited to repair or replacement of the defective product pursuant to the terms and conditions applicable to each product line. These remedies shall constitute DuraVent's sole obligation and sole remedy under this limited warranty. This warranty provides no cash surrender value. The terms and conditions of this limited lifetime warranty may not be modified, altered or waived by any action, inaction or representation, whether oral or in writing, except upon the express, written authority of an executive officer of DuraVent.

VENTINOX WARRANTY CONDITIONS

Liner and Component warranties contained herein are subject to the following conditions: (1) The Liner and Components must be installed according to DV's installation instructions; (2) The Liner and Components are used only to line or reline chimneys venting residential appliances for which the liner was intended; and (3) documented annual inspection of the Liner and Components and maintenance as deemed necessary, beginning one year after the date of installation and continuing throughout the warranty period, by a Nationally Certified Chimney Sweep or VENTINOX® installer. The Liner and Components warranty is further subject to compliance with the following requirements throughout the warranty period: The chimney must have a chimney cap and chemical chimney cleaners must not be used when cleaning the Liner or Components. Plastic-bristle flue cleaning brushes are recommended. Com, biofuels, driftwood or other wood containing salt, preservative-treated lumber, plastic and household trash or garbage, or wood pellets containing such materials must not be burned in the appliance or fireplace. In case of a chimney fire, the chimney must be inspected and approved by a certified Chimney Sweep before reuse. After each annual inspection, maintenance, and cleaning, the certified Chimney Sweep must fill out and date the appropriate section of the warranty card provided with the chimney liner.

LIMITATIONS ON INTERNET SALES:

Notwithstanding any other terms or conditions of this limited lifetime warranty, DuraVent provides no warranty for the following specific products if such products are both: (a) purchased from an Internet seller; and (b) not installed by a qualified professional installer: DuraTech®, DuraPlus HTC®, PelletVent Pro®, FasnSeal®, and DuraVent's relining products including DuraLiner®, DuraFlex® 304, DuraFlex® 316, DuraFlex® Pro, DuraFlex® SW, and Ventinox®. For purposes of this warranty, a trained professional installer is defined as one of the following: licensed contractors with prior chimney installation experience, CSIA Certified Chimney Sweeps, NFI Certified Specialists, or WETT Certified Professionals.

DuraVent reserves the right to inspect defective product to determine if it qualifies for replacement under the terms of this limited lifetime warranty. All warranty claims must be submitted with proof of purchase. Labor and installation costs are not covered under this warranty. To obtain warranty service contact DuraVent promptly at DuraVent Warranty Service, 902 Aldridge Rd., Vacaville CA 95688, or call 800-835-4429.

WHERE LAWFUL, DuraVent DISCLAIMS ALL OTHER WARRANTIES, INCLUDING BUT NOT LIMITED TO IMPLIED WARRANTIES OF MERCHANTABILITY AND FITNESS FOR A PARTICULAR PURPOSE. IN NO EVENT WILL DuraVent BE LIABLE FOR INCIDENTAL, CONSEQUENTIAL, PUNITIVE OR SPECIAL DAMAGES OR DIRECT OR INDIRECT LOSS OF ANY KIND, INCLUDING BUT NOT LIMITED TO PROPERTY DAMAGE AND PERSONAL INJURY. DuraVent's ENTIRE LIABILITY IS LIMITED TO THE PURCHASE PRICE OF THIS PRODUCT. SOME STATES DO NOT ALLOW LIMITATIONS ON IMPLIED WARRANTIES, OR THE EXCLUSION OR LIMITATION OF INCIDENTAL OR CONSEQUENTIAL DAMAGES, SO THE ABOVE LIMITATIONS AND EXCLUSIONS MAY NOT APPLY TO YOU. THIS LIMITED WARRANTY GIVES YOU SPECIFIC LEGAL RIGHTS, AND YOU MAY ALSO HAVE OTHER RIGHTS THAT VARY FROM STATE TO STATE.

For the most up-to-date installation instructions, see www.duravent.com
REV 7.20.2010

M&G DuraVent, Inc. PO Box 1510 Vacaville CA 95696-1510
Manufactured in Vacaville CA and Albany NY

DuraVent

Member of  M&G Group

Customer Service Support 800-835-4429 707-446-4740 FAX www.duravent.com

DuraLiner is a registered trademark of the M&G DuraVent, Inc.

All rights reserved. Made in the USA. M&G DuraVent is a member of M&G Group. ©2011

L402 04/2011