

## INSTALLATION INSTRUCTIONS

### SUPPLEMENTARY



Vinyl Siding Standoff and  
Counter Flashing Kits for  
Direct Vent Pro

# DIRECT VENT PRO

**SIMPSON**

**Dura-Vent**

COMPLETE VENTING SOLUTIONS FOR THE HEARTH INDUSTRY

## INSTALLING THE 4-PIECE VINYL SIDING STANDOFF:

The Vinyl Siding Standoff should be assembled and installed on the wall between the Horizontal Cap and the building exterior. Cut a square opening in the vinyl siding centered around the framed opening, in accordance with the dimensions provided in **Table 1**.

STOCK #	EXTERIOR OPENING
46DVA-VSK 46DVA-CFK	13½" x 13½"
46DVA-VSKS 46DVA-CFKS	10½" x 10½"
58DVA-VSK 58DVA-CFK	16" x 16"
Install 46DVA-VSKS or 46DVA-CFKS for 5" x 8" DirectVent Pro Sconce or Round Termination Caps	

**Table 1**

1. Loosely assemble the four parts, in order, around the base of the Horizontal Termination Cap. The 4 pieces of the Vinyl Siding Standoff (or Counter Flashing) must be assembled in specific order to help ensure a weather tight fit.
2. Place the first of 4 pieces along the upper edge of the opening in the vinyl siding. Progressing counter-clockwise, place the left side, the bottom side, and then the right side around the opening in the siding. Refer to **Figures 1 and 2**.
3. With the 4 pieces in place secure the pieces together using the pre-drilled holes and the screws provided.
4. Seal around the inside corners of the Vinyl Siding Standoff to help ensure a weather tight installation.
5. Attach the Horizontal Cap to the Vinyl Siding Standoff. Line up the holes in the

cap with the holes in the Vinyl Siding Standoff and secure with the (4) long screws provided with the cap.

6. Secure the Vinyl Siding Standoff to the wall as appropriate. Depending on the construction of your wall, different methods of securing the standoff and cap may be required. The Vinyl Siding Standoff's flanges extend 2" under the siding and can be secured to the wall by using screws through the siding and flange if needed.

7. Seal around the perimeter of the Vinyl Siding Standoff using non-hardening waterproof sealant to help ensure a weather tight seal.

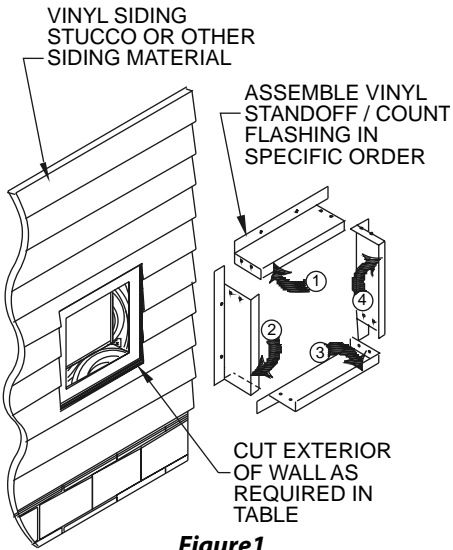
## INSTALLING THE 4-PIECE COUNTER FLASHING:

Attach the 4 pieces together starting with the top piece and work counter-clockwise.

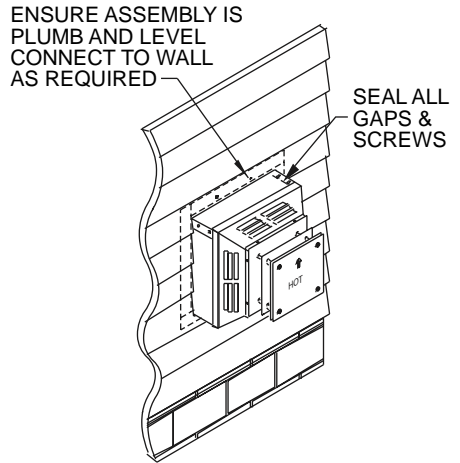
1. Secure the 4 pieces together before mounting Counter Flashing to the wall. Mount the assembled Counter Flashing on the wall, centered around the framed wall penetration.

2. Depending on wall construction, use screws or other suitable connector through the flanged edges to secure Counter Flashing to the wall.

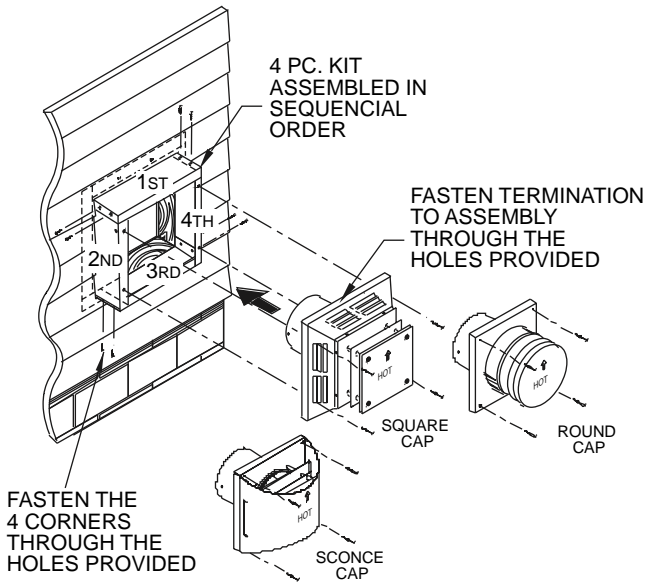
3. Seal around the perimeter of the Counter Flashing using non-hardening waterproof sealant to help ensure a weather tight seal.



**Figure1**



**Figure3**



**Figure2**

# SIMPSON DURA-VENT LIMITED LIFETIME WARRANTY

Simpson Dura-Vent ("Simpson") warrants the products identified below to the original purchaser to be free from substantial defects in material or manufacturing for the lifetime of the product, if properly installed, maintained and used. This Warranty does not cover normal wear and tear, smoke damage or damage caused by chimney fires, or any Product that was: (1) purchased other than from an authorized Simpson dealer, retailer or distributor; (2) modified or altered; (3) improperly serviced, inspected or cleaned; or (4) subject to negligence or any use not in accordance with the printed materials provided with the Product as determined by Simpson Dura-Vent. This warranty includes all components and fittings, except caps. Caps have a 5 year warranty from the date of purchase, with dated proof of purchase. This lifetime warranty applies only to parts manufactured by Simpson Dura-Vent. This warranty may not be extended or modified by our agents or representatives.

For 15 years from the date of purchase of a **DuraTech Chimney, DuraPlus Chimney, DuraPlus HTC Chimney, PelletVent Pro, PelletVent, CornVent, DuraLiner, DuraFlex, DirectVent Pro, Type B Gas Vent, DuraConnect or DVL**, with dated proof of purchase, Purchaser's sole remedy is replacement of component fittings and chimney pipe lengths (removal and installation costs paid by Purchaser). From year 16, for the life of such Product, Purchaser's sole remedy is replacement of chimney pipe lengths at 50% of the retail list price in effect at the time of replacement (removal and installation costs and 50% of the retail list price paid by Purchaser).

For 5 years from the date of purchase of a **DuraBlack Single-Wall Stovepipe**, with dated proof of purchase, Purchaser's sole remedy is replacement of component fittings and chimney pipe lengths (removal and installation costs paid by Purchaser).

Simpson may inspect your Product to determine if, in Simpson's sole discretion, the Product qualifies for replacement under the terms of this Warranty. To obtain warranty service go to [www.duravent.com](http://www.duravent.com) or contact Simpson promptly at 800-835-4429. The replaced Product is warranted under the terms of this Warranty.

Where lawful, Simpson disclaims all other warranties, including but not limited to implied warranties of **merchantability and fitness for a particular purpose**. **In no event will Simpson be liable for incidental, consequential, punitive or special damages or direct or indirect loss of any kind, including but not limited to property damage and personal injury.** Simpson's entire liability is limited to the purchase price of this product. Some states do not allow limitations on implied warranties, or the exclusion or limitation of incidental or consequential damages, so the above limitations and exclusions may not apply to you. This limited warranty gives you specific legal rights, and you may also have other rights that vary from state to state.

*For the most up-to-date installation instructions, see [www.duravent.com](http://www.duravent.com)*

Simpson Dura-Vent, Inc  
PO Box 1510  
Vacaville CA 95696-1510

Simpson Dura-Vent:  
50 years of Engineered Excellence®

Manufactured in Vacaville CA  
and Vicksburg MS



**Customer Service Support 800-835-4429 707-446-4740 FAX [www.duravent.com](http://www.duravent.com)**

DirectVent Pro, PelletVent Pro, DuraFlex, DuraLiner, DuraTech, DuraPlus HTC, DuraPlus, DVL, DuraBlack, DuraChimney II, DuraConnect, PelletVent, CornVent, and Dura-Vent are registered trademarks of the Simpson Dura-Vent Co., Inc. All rights reserved, 2008. Made in the USA.  
Simpson Dura-Vent is a division of Simpson Manufacturing Company. NYSE:SSD.

L955 08|2008