

SQUARE TOP TERMINATIONS

INSTALLATION INSTRUCTIONS

ET-8DM(HT), ETO-8DM, ETL-8DM(HT), ETLO-8DM AND ETL-10D

1. Construct chase as illustrated in Figure 1.
Note: The shortest vertical side must be at least 30" high and the minimum inside dimension must be at least "Y" (as shown in Figure 5).
2. Add pipe sections to chimney system as outlined in the fireplace installation instructions until last piece of chimney is a maximum of 12" below top of chase (see Figure 1).
3. Fabricate a flashing having an "X" (see Figure 5) diameter hole centered over the chimney end with a 2" collar around the hole (see Figure 2). Attach noncombustible spacers at each corner and place the flashing over the chase.
4. Secure flashing through sides with 8-penny nails or sheet rock screws.
5. Place galvanized sleeve through hole in flashing and around last section of chimney (see Figure 3).

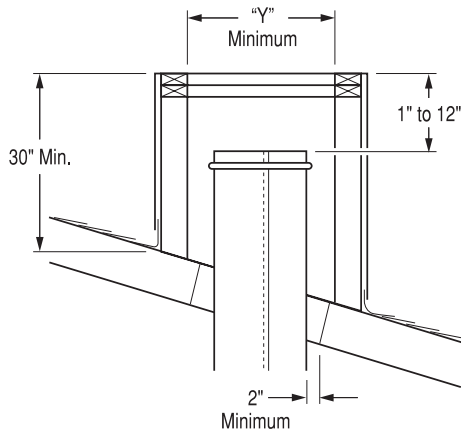


Figure 1 - Constructing Chase

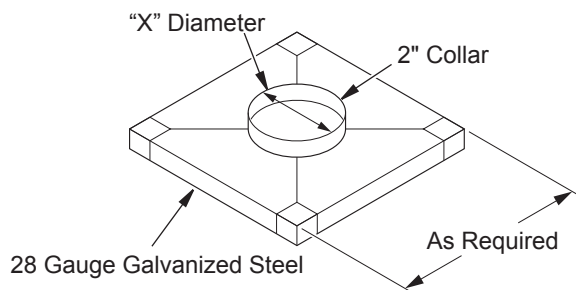


Figure 2 - Constructing Chase Top Flashing

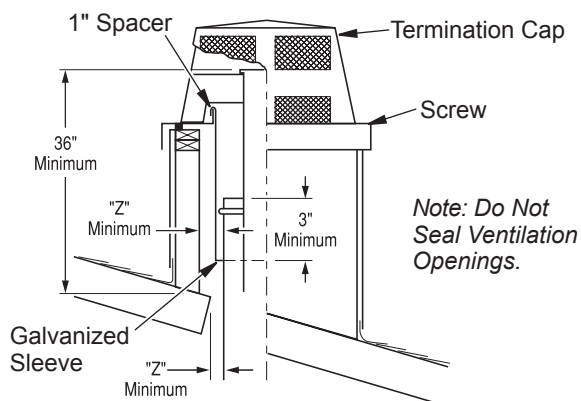


Figure 3 - Installing Termination Cap

6. Place termination cap over opening and slip the stainless steel inner pipe into stainless steel chimney section. Lower termination assembly until cap rests evenly over flashing hole. Secure cap at each corner with sheet metal screws (see Figure 4).

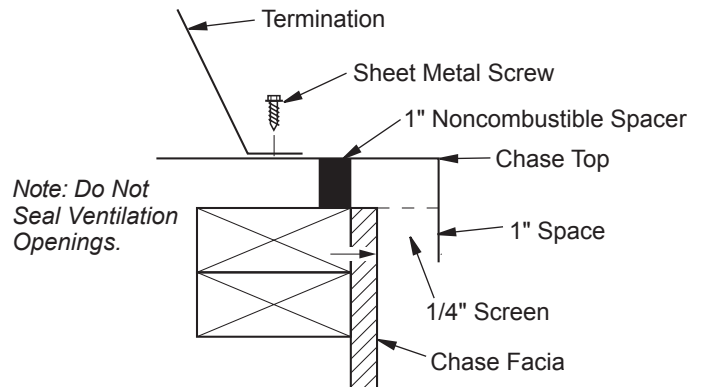


Figure 4 - Securing Termination to Chase Top Flashing with Sheet Metal Screws

10 Foot Rule

The chimney flue gas outlet of the termination must be a minimum distance of 3 feet above the highest point where the pipe penetrates the roof, and must be a minimum distance of 2 feet above the highest point of the roof within a horizontal distance of 10 feet (see Figure 6).

Termination	X	Y	Z
10" System	16.5"	17"	1"
10" System	16.5"	19"	2"
8" System	14"	14.5"	1"
8" System	14"	16.5"	2"

Figure 5 - Dimensions Chart

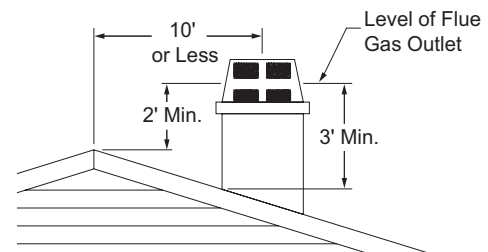


Figure 6 - 10 Foot Rule

IMPORTANT: Please refer to your product manual for specified clearances.



DESA Heating, LLC
2701 Industrial Drive
Bowling Green, KY 42101
www.desatech.com
1-866-672-6040



107456 01
NOT A UPC

107456-01
Rev. F
11/07