

# Instructions for In-Ground **EZPOLE®** Flagpoles "The Defender" models ("The Patriot" Color Option)



**MADE IN U.S.A.**  
**America Show Your Colors!**

### Tools and Materials Needed:

- Post Hole Digger
- Level
- Ruler or tape measure
- 1 80# bag of quick setting cement
- 1/2 Gal. of gravel
- Mixing container

1. Select flagpole location. Check for underground sprinkler water lines and electrical lines before you dig.

2. Dig a 22" hole with a tapered diameter, see diagram below.

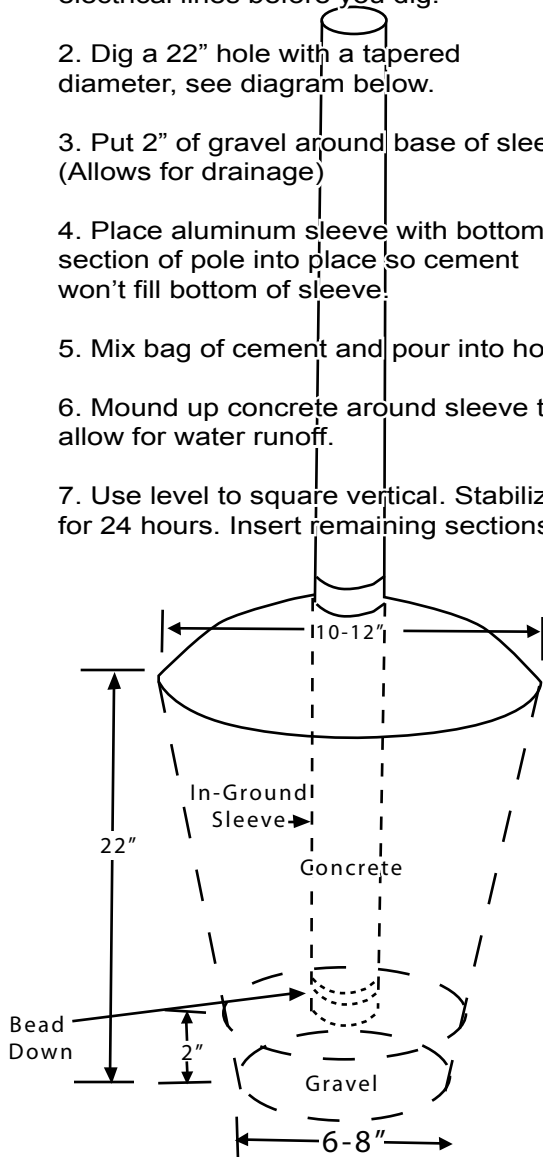
3. Put 2" of gravel around base of sleeve, (Allows for drainage)

4. Place aluminum sleeve with bottom section of pole into place so cement won't fill bottom of sleeve.

5. Mix bag of cement and pour into hole.

6. Mound up concrete around sleeve to allow for water runoff.

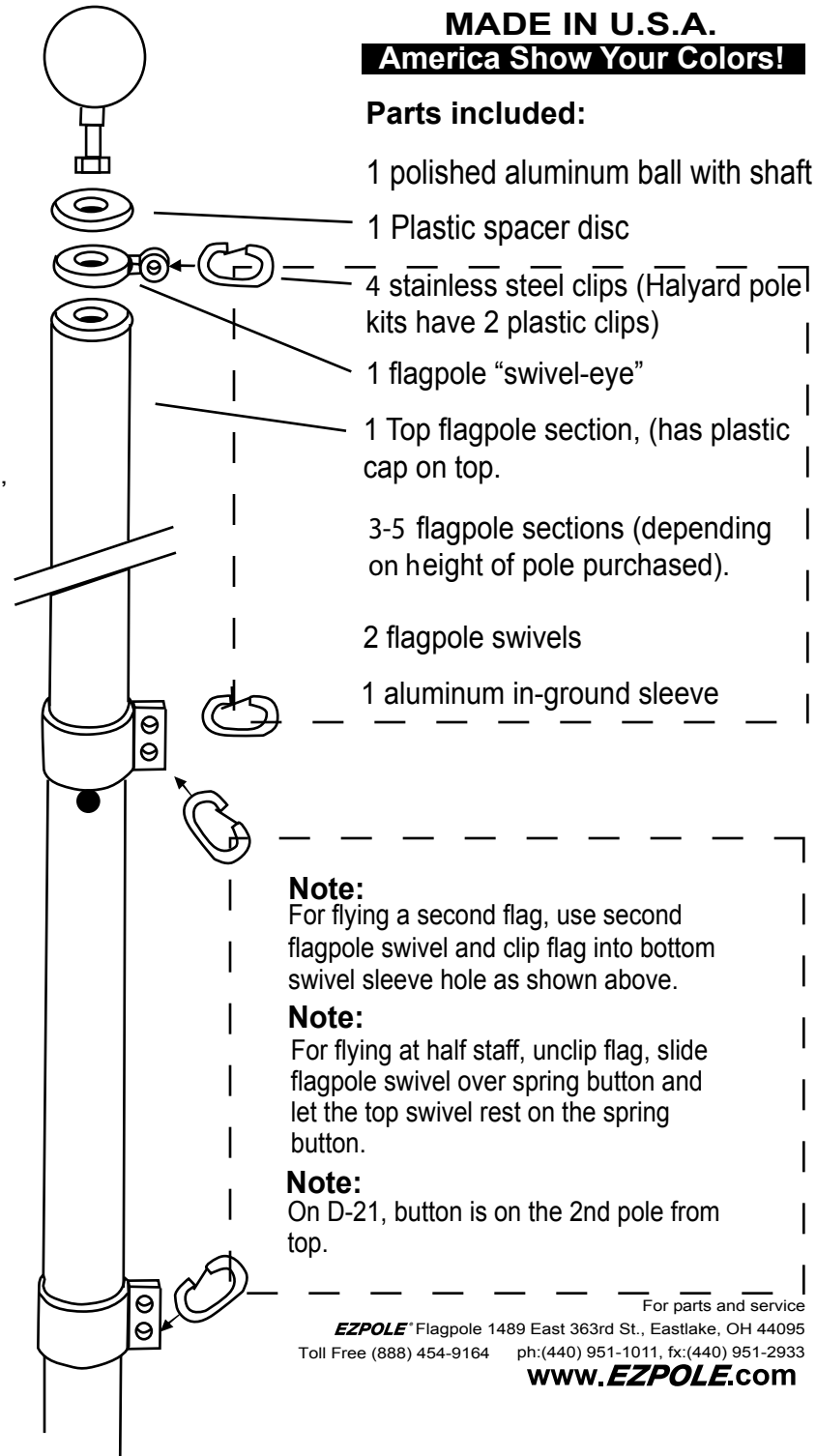
7. Use level to square vertical. Stabilize for 24 hours. Insert remaining sections.



**D21 Kit Weight: 13 lbs.**

**D17 Kit Weight: 12 lbs.**

**D13 Kit Weight: 11 lbs.**



### Parts included:

- 1 polished aluminum ball with shaft
- 1 Plastic spacer disc
- 4 stainless steel clips (Halyard pole kits have 2 plastic clips)
- 1 flagpole "swivel-eye"
- 1 Top flagpole section, (has plastic cap on top.)
- 3-5 flagpole sections (depending on height of pole purchased).
- 2 flagpole swivels
- 1 aluminum in-ground sleeve

**Note:**  
For flying a second flag, use second flagpole swivel and clip flag into bottom swivel sleeve hole as shown above.

**Note:**  
For flying at half staff, unclip flag, slide flagpole swivel over spring button and let the top swivel rest on the spring button.

**Note:**  
On D-21, button is on the 2nd pole from top.

For parts and service  
**EZPOLE®** Flagpole 1489 East 363rd St., Eastlake, OH 44095  
Toll Free (888) 454-9164 ph:(440) 951-1011, fx:(440) 951-2933  
**www.EZPOLE.com**

