

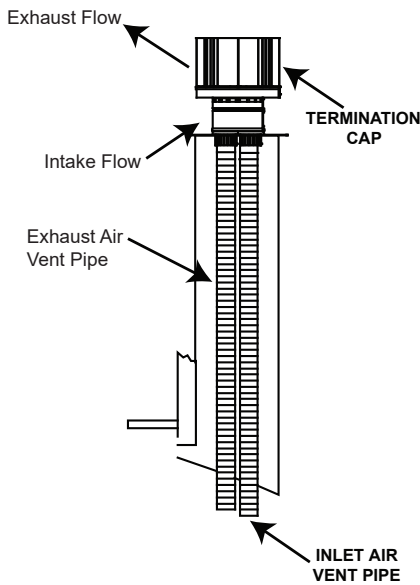
# DIRECT VENT KITS

## LINK-DV30B, LINK-DV4-30B

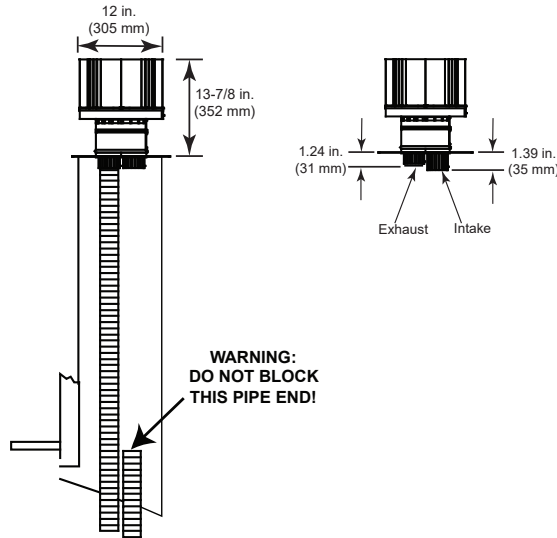
## LINKSQ-DV30, LINKSQ-DV4-30

- Installation Instructions -

### LINK-DV30B INSTALLATION



### LINK-DV4-30B INSTALLATION

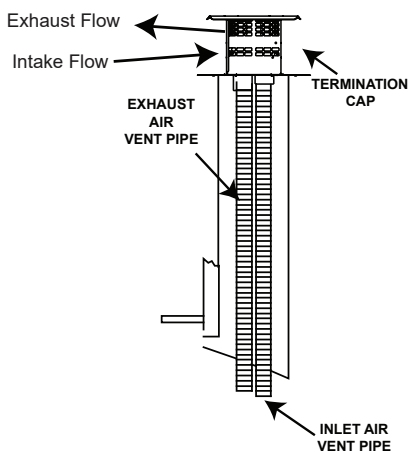


OPTIONAL  
LINK-ZC-ADPB  
FOR USE  
WITH CLASS A  
WOODBURNING  
PIPE.

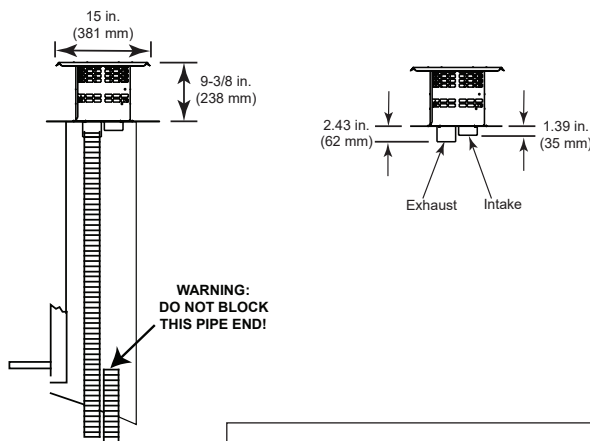
NOTE: Untwist the pipe while extending it to achieve full 30 foot

Remove 18 in. x 18 in. flashing on cap by removing 4 screws. Connect the termination cap to the LINK-ZC-ADPB with the 4 screws previously removed. Connect the LINK-ZC-ADPB to Class A Pipe with the self tapping screws provided.

### LINKSQ-DV30 INSTALLATION





### LINKSQ-DV4-30 INSTALLATION



OPTIONAL  
LINK-ZC-ADPB  
FOR USE  
WITH CLASS A  
WOODBURNING  
PIPE.

NOTE: When installing the LINK or LINKSQ on a chimney that is smaller than 12 in. x 12 in. it is recommended to remove the flashing plate and reinstall the flashing plate after it has been cut and bent to the proper size. The smallest chimney that the flashing plate can be cut and bent to fit is a 9 in. x 9 in. square.

**CAUTION! Risk of Cuts or Abrasions!** Wear protective gloves and safety glasses during installation. Sheet metal edges are sharp.

	<b>WARNING</b>
	Explosion Risk. Combustion Fume Risk.
<ul style="list-style-type: none"><li>• Connect vent sections per installation instructions.</li><li>• Connect exhaust vent pipe ONLY to exhaust starting collar and termination cap center collar.</li><li>• Connect inlet air vent ONLY to inlet air collar on appliance and either the termination cap inlet air collar OR terminate within chimney.</li></ul>	

EXH is etched in front of the exhaust collar on the unit. The exhaust collar is labeled on the cap. If label is damaged or removed, the exhaust collar on the square cap is the one that extends farther through the cap when looking at the cap from the bottom. On the round cap, the exhaust collar is the shorter collar.

**NOTE:** Use 3 of the self tapping screws for each collar to attach flex liner.

To help eliminate cold air drafts, it may be necessary to place non-combustible insulation around the flues as they go through the damper.

Contact your dealer for more information, or visit: [www.hpba.org/safety-information](http://www.hpba.org/safety-information).

Hearth & Home Technologies  
7571 - 215th St. W., Lakeville, MN 55044