

**Surround / Front: TA-EXC25/30/35, INFIT-25/30/35 IA-MI25/30/35,
FS-MI25/30/35, MFV-EXC25/30/35, FA-EXC25/30/35,
HARC-MI25/30/35, CSFI25/30/35, CASFI25/30/35,
MFV-TRI35/30/35, FA-TRI25/30/35, TA-TRI25/30/35**

Installation Instructions -



Leave this manual with party responsible for use and operation.

CAUTION! Risk of Cuts, Abrasions or Flying Debris.
Wear protective gloves and safety glasses during installation. Sheet metal edges are sharp.

DANGER



HOT GLASS WILL CAUSE BURNS.

DO NOT TOUCH GLASS UNTIL COOLED.

NEVER ALLOW CHILDREN TO TOUCH GLASS.

A barrier designed to reduce the risk of burns from the hot viewing glass is provided with this appliance and shall be installed for the protection of children and other at-risk individuals.

- CAREFULLY SUPERVISE children in same room as fireplace.
- Alert children and adults to hazards of high temperatures.

High temperatures may ignite clothing or other flammable materials.

- Keep clothing, furniture, draperies and other flammable materials away.
- Do NOT operate with protective barriers open or removed.
- The decorative front must remain closed if children will be present during the operation of the fireplace.
- The decorative front may be made operable per these instructions. This may be done only upon request of a person responsible for the use and operation of the fireplace.
- The decorative front can be returned to the locked position following these instructions.

INTRODUCTION

The surround is used to fill the space between the insert and the solid fuel firebox opening. The front is placed onto the surround after it is attached to the insert. The surround is required.

WARNING! Risk of Fire! Combustible materials MUST NOT overlap or be placed under a surround.

Combustible Materials Specification

Materials made of or surfaced with wood, compressed paper, plant fibers, plastics, or other material that can ignite and burn, whether flame proofed or not, or plastered or unplastered shall be considered combustible materials.

SURROUND & FRONT INSTALLATION

1. Remove the shipping bracket from the surround. See Figure 2.
2. Locate the coiled rocker switch wires and battery backup on the insert. The wire assembly is zip-tied to the right side of the appliance outer wrap.
3. Run both low voltage wires behind the surround. Connect the low voltage wires to the rocker switch and USB-C plug.. See Figure 1.

Note: For alternative rocker switch location using the rocker switch mounting bracket see Figure 2 for PROVIDENT/JASPER metal inserts and see Figure 3 for all other metal inserts.

4. Attach surround to the insert with four screws (located in appliance manual bag). See Figure 4. When installing a 4-sided surround, install shoulder screws in bottom corners of surround opening. Bend tabs on vanity panel toward the 90° return bend and hang on shoulder screws. See Figures 5 and 6.

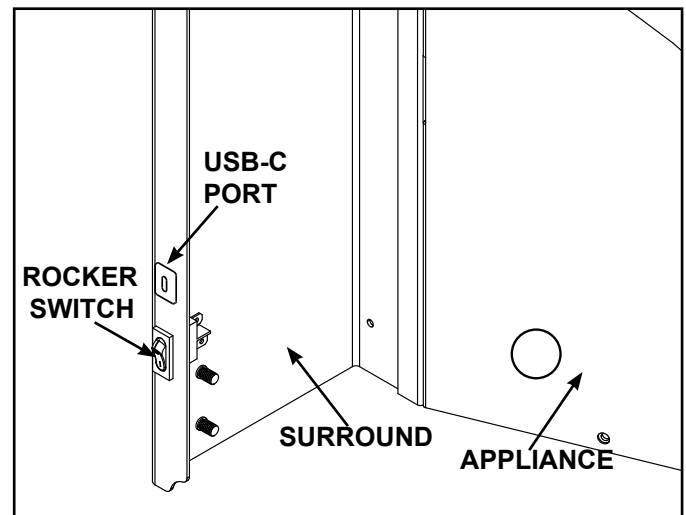


Figure 1 Rocker Switch Detail

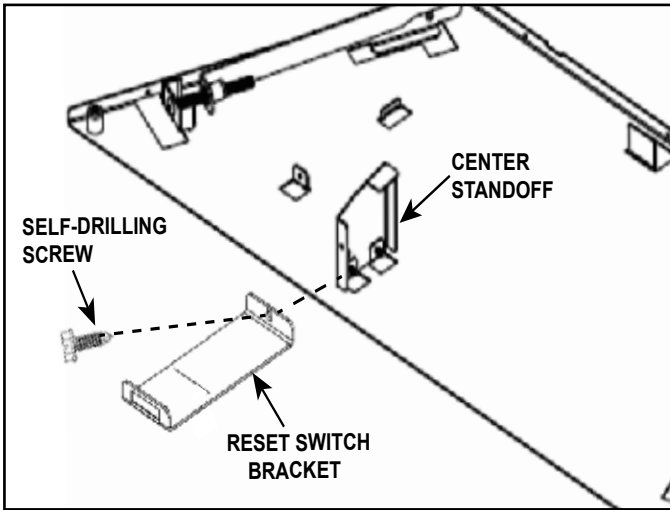


Figure 2 PROVIDENT/JASPER Bracket Location

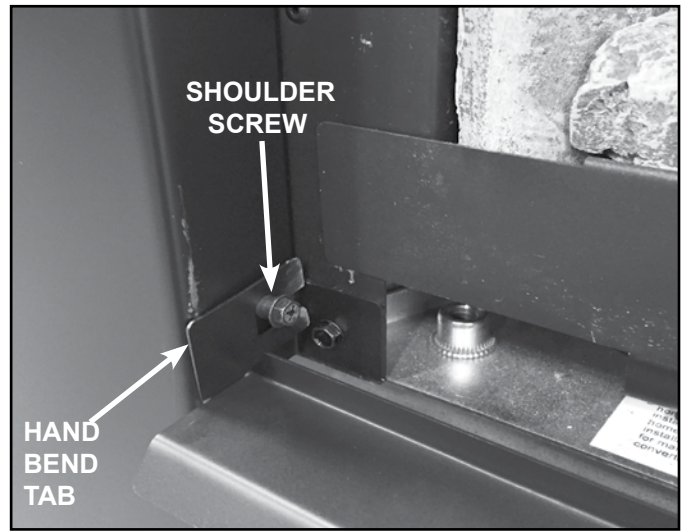


Figure 5 Hand Bend Tab & Shoulder Screw



Figure 3 Rocker Switch in Mounting Bracket

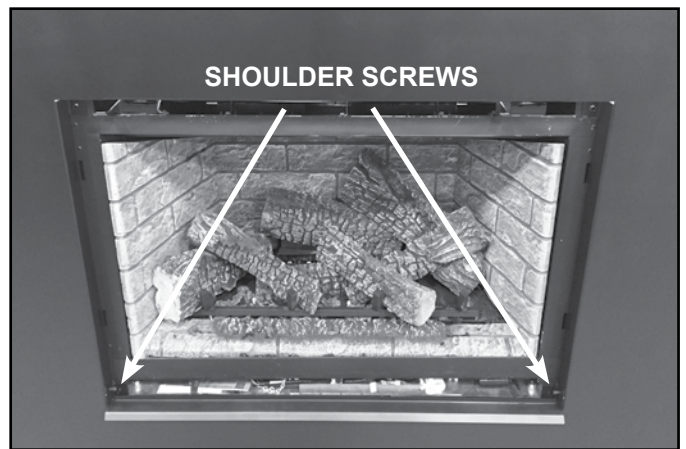


Figure 6 Vanity Panel Installed

Note: When being used with 4-sided surround, bend bracket approximately 15° at the hand bend line to avoid contact with vanity panel. See Figure 4.

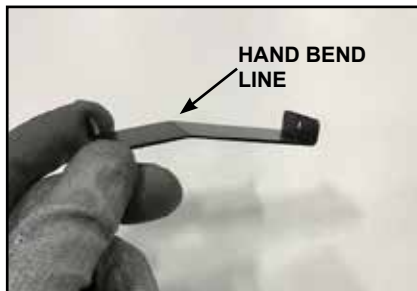


Figure 4 Bracket

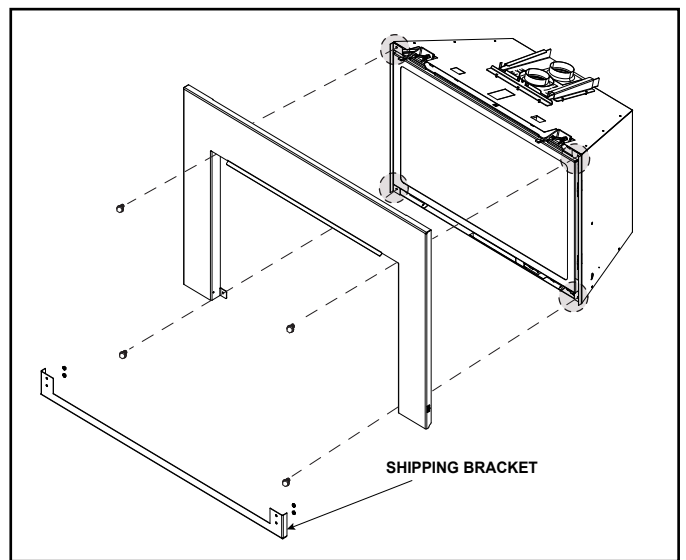


Figure 7 Attach Surround

5. Install the front.

Locate four hanging slots on the appliance. Engage four J-hooks with hanging slots. Carefully, pull the front forward to verify proper engagement.

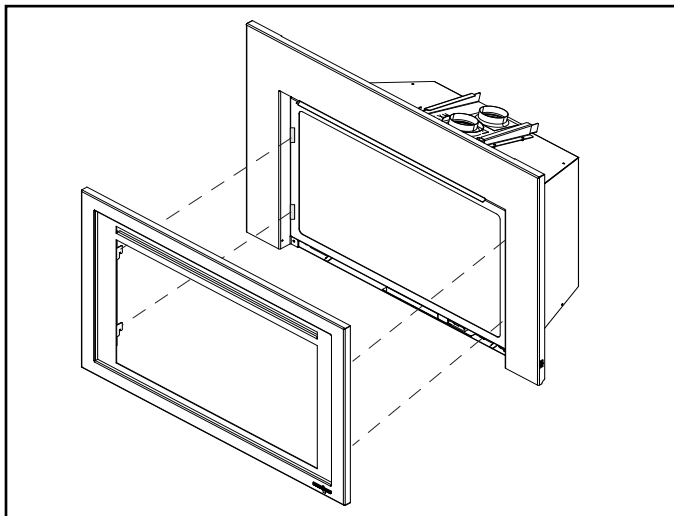


Figure 8 Install Front

6. Slide the hood forward until it bottoms out on the front/mesh. See Figure 9 and 10.

Note: For Infit front, discard the surround hood.

7. Once the surround is attached and hood is properly positioned and secured, slide the appliance backward until the surround is tight to the non-combustible finished wall.

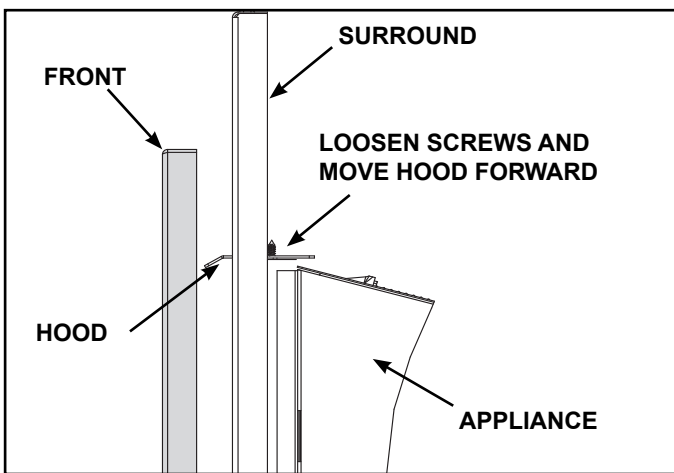


Figure 9 Position Hood

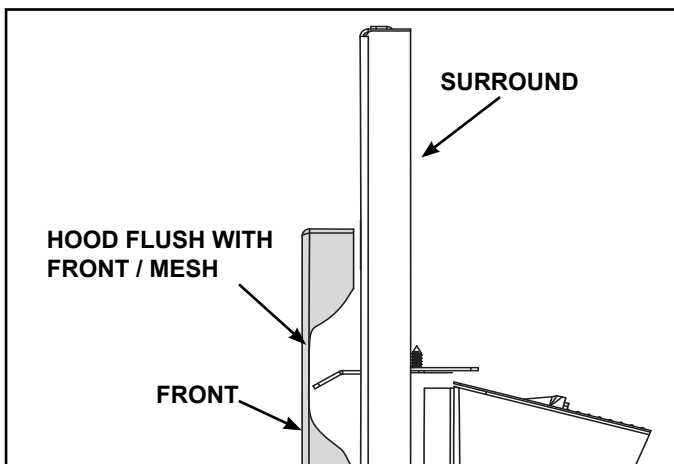


Figure 10 Hood Flush with Front / Mesh

8. See below chart for glass vanity install details.

FRONT	REFERENCE FIGURE
FA-EXC25/30/35	11
TA-EXC25/30/35	
FA-TRI25/30/35	
TA-TRI25/30/35	

To install glass vanity, tuck it between the glass and glass frame as shown in Figure 11.

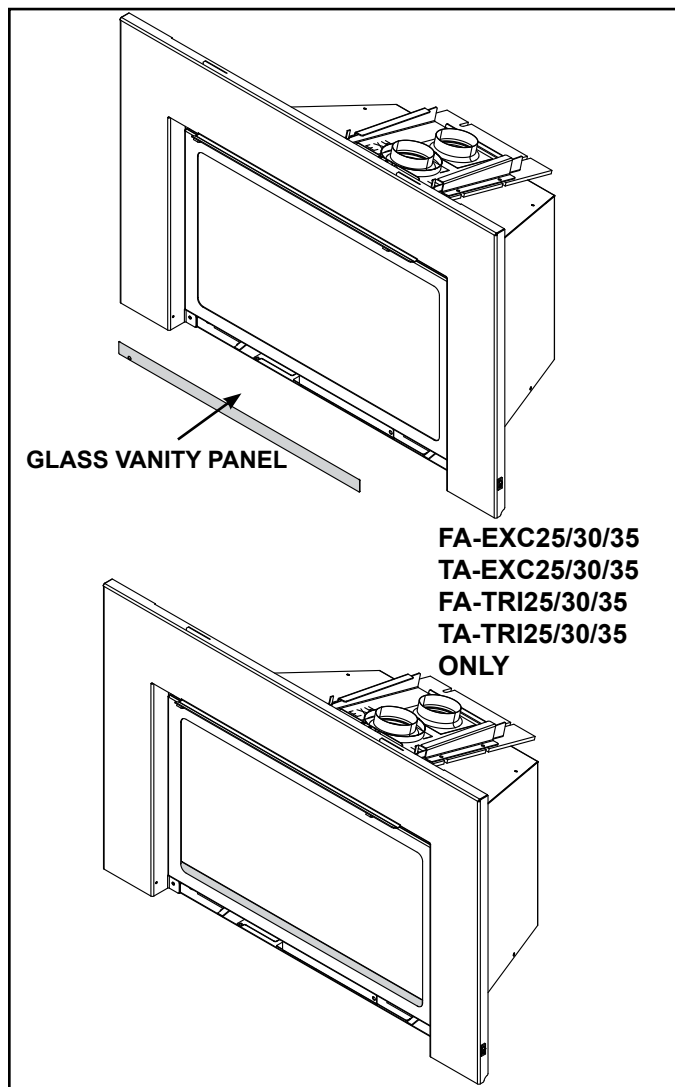


Figure 11 Glass Vanity Installation

Cleaning Instructions for Fronts/Surrounds

Use a microfiber cloth and Windex® Original Glass Cleaner or 03M003 Stove Bright® Glass Cleaner to clean the fronts/surround immediately after installation to remove acids deposited by the installer or technician. Spray the cleaner onto the microfiber cloth and carefully wipe the entire surface. The front/surround should be cleaned in this manner annually by the homeowner to remove fingerprints or other contaminants. Once oxidation of the paint pigment has occurred, cleaning will not restore the original color.

Service Part List

SURROUNDS	DESCRIPTION	PART NUMBER
MI25-3523-(All colors)	ROCKER SWITCH ROCKER SWITCH MOUNTING BRACKET (Optional, See Figure 2) USB-C WIRE ASSEMBLY	SRV2206-299 2532-299 SRV2326-222
MI25-3726-(All colors)		
MI25-3928-(All colors)		
MI30-4027-(All colors)		
MI30-4230-(All colors)		
MI30-4432-(All colors)		
MI35-4229-(All colors)		
MI35-4432-(All colors)		
MI35-4832-(All colors)		
MI30-4629CST-BK		
MI35-5133CST-BK		
MI25-5040CS-BK	ROCKER SWITCH ROCKER SWITCH MOUNTING BRACKET (OPTIONAL, SEE FIGURE 2) VANITY PANEL USB-C WIRE ASSEMBLY	SRV2206-299 2532-299 2532-204 SRV2326-222
MI30-5040CS-BK		
MI35-5040CS-BK		
CUST-SRND-MI		

FRONTS	DESCRIPTION	PART NUMBER
TA-EXC25-(All colors), TA-TRI25-(All colors)	MESH	2531-034
TA-EXC30-(All colors), TA-TRI30-(All colors)		2532-034
TA-EXC35-(All colors), TA-TRI30-(All colors)		2533-034
TA-EXC25-(All colors), TA-TRI25-(All colors)	GLASS VANITY PANEL	2531-247
TA-EXC30-(All colors), TA-TRI30-(All colors)		2532-247
TA-EXC35-(All colors), TA-TRI35-(All colors)		2533-247
IA-MI25-(All colors)	MESH	2531-034
IA-MI30-(All colors)		2532-034
IA-MI25-(All colors)		2533-034
INFIT-25-BK	MESH	2531-029
INFIT-30-BK		2532-029
INFIT-35-BK		2533-029
HARC-MI25-(All colors)	MESH	2531-034
HARC-MI30-(All colors)		2532-034
HARC-MI35-(All colors)		2533-034
MFV-EXC25-(All colors), MFV-TRI25	MESH	2531-034
MFV-EXC30-(All colors), MFV-TRI30		2532-034
MFV-EXC35-(All colors), MFV-TRI35		2533-034
FS-MI25-(All colors)	MESH	2531-034
FS-MI30-(All colors)		2532-034
FS-MI35-(All colors)		2533-034
FA-EXC25-BK, FA-TRI25-BK	MESH	2531-034
FA-EXC30-BK, FA-TRI30-BK		2532-034
FA-EXC35-BK, FA-TRI30-BK		2533-034
FA-EXC25-BK, FA-TRI25-BK	GLASS VANITY PANEL	2531-247
FA-EXC30-BK, FA-TRI30-BK		2532-247
FA-EXC35-BK, FA-TRI35-BK		2533-247
CSFI25(All colors)	MESH	2531-034
CSFI30(All colors)		2532-034
CSFI35(All colors)		2533-034
CASFI25(All colors)	MESH	2531-034
CASFI30(All colors)		2532-034
CASFI35(All colors)		2533-034

Hearth & Home Technologies
7571 215th Street West, Lakeville, MN 55044
www.hearthnhome.com

Please contact your Hearth & Home Technologies dealer with any questions or concerns. For the location of your nearest Hearth & Home Technologies dealer, please visit www.hearthnhome.com.