

CFT Decorative Fronts

APPLIANCE MODELS: MEZZO-B/CRAVE-B/ ECHELON, MEZZO-C/CRAVE-C/ ECHELON-C (Pages 1-6)

APPLIANCE MODELS: MEZZO/CRAVE/MEZZO-AUB (Pages 8-11)

Installation & Operating Instructions

CFT SKU's: MEZZO-B/-C, CRAVE-B/-C, ECHELON/-C:

CFT-36-XX-C

CFT-48-XX-C

CFT-60-XX-C


CFT-72-XX-C


(-XX = color)



Leave this manual with party responsible for use and operation.

CAUTION! Risk of Cuts, Abrasions or Flying Debris. Wear protective gloves and safety glasses during installation. Sheet metal edges are sharp.


DANGER



HOT GLASS WILL CAUSE BURNS.

DO NOT TOUCH GLASS UNTIL COOLED.

NEVER ALLOW CHILDREN TO TOUCH GLASS.

A barrier designed to reduce the risk of burns from the hot viewing glass is provided with this appliance and must be installed for the protection of children and other at-risk individuals.

WARNING! Risk of Fire! Combustible materials MUST NOT overlap or be placed under a surround.

CAUTION! Do not install damaged components.

WARNING! Risk of Fire! DO NOT apply combustible materials beyond the minimum clearances. Comply with all minimum clearances to combustibles as specified. Overlapping materials could ignite and will interfere with proper operation of decorative fronts and louvers.

Preparation

NOTICE: All stainless steel (-SS) fronts are shipped with a protective film over the stainless steel surface. This film must be removed carefully prior to installation. Avoid bending front or trim ring when removing film.

1. The Clean Face Trim (CFT) front may be installed one of two ways:
 Overlap Fit (0-1 Inch thick finishing material)
 Inside Fit (1-4 Inches thick finishing material)
 The depth of the finishing material will determine how the front is installed. See appliance installation manual, Section 10 "Finishing".
2. Verify finishing material has been installed correctly before installing the CFT front. The eight rectangular holes on the bottom access panel **MUST** be covered. The maximum finishing material thickness is 4 inches. See Figure 1.
3. Follow the instructions for finishing materials 0-1 inches thick (Overlap) OR 1-4 inches thick (Inside Fit).

Note: The decorative front dimensions are shown in Figure 12.

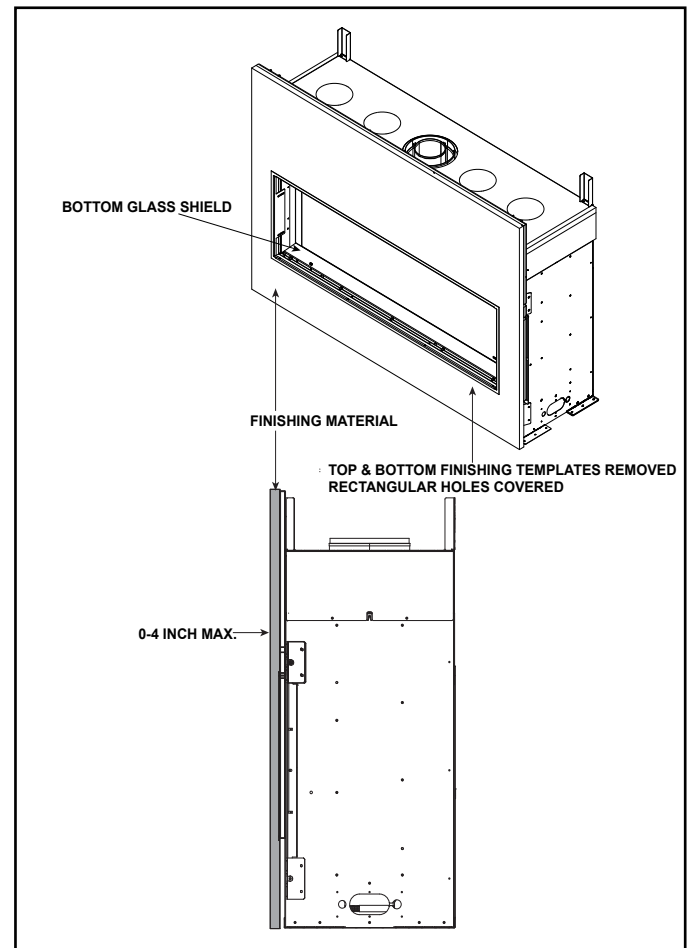


Figure 1 Finishing Options

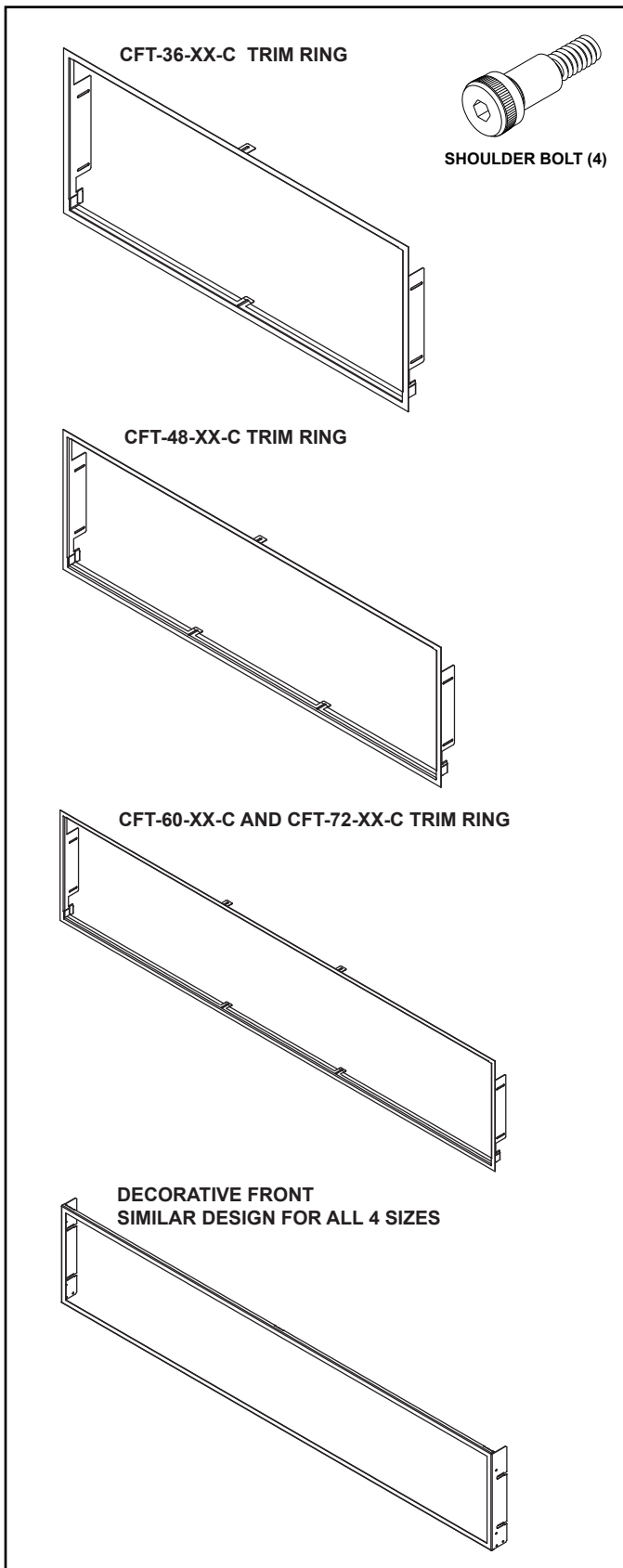


Figure 2 CFT Front Components

Clean Face Trim Front (CFT)

Overlap Fit (0-1 Inch Thick Finishing Method)

Non-Combustible Finish Materials

Option A: Finishing Materials 1/2-1 Inch Thick

Option B: Finishing Materials Less than 1/2 Inch Thick

WARNING! Risk of Fire! DO NOT apply combustible materials beyond the minimum clearances. Comply with all minimum clearances to combustibles as specified in this manual. Overlapping materials could ignite.

Note: When a Clean Face Trim decorative front is installed, the rectangular holes in bottom access panel will be covered.

NOTICE: One inch maximum not only includes the decorative finish materials (marble, tile, slate, etc) but also the thin set, lath and adhesive used to attach the decorative finish material.

For all Models:

1. Remove decorative front and components from package. See Figure 2.
2. Remove finishing guards on top and bottom of appliance opening. Retain screws. They will be used for trim ring installation. Quantity of screws will vary depending on appliance model size. See Table 1 and Figure 3.

For finishing materials less than 1/2 inch thick continue to Option B.

For finishing materials 1/2 inch-1 inch thick proceed to Option A.

Option A. Finishing Materials 1/2 Inch-1 Inch Thick

Note: Install CFT trim ring to obtain the cleanest finish. The trim ring may be adjusted outward up to one inch and sit on top of the non-combustible finishing material.

Note: Depending on the thickness of finishing material (1in. max.), the edge of the factory-included non-combustible board or finishing material may be visible. High temperature black paint, such as Hearth & Home Technologies TUP-GBK-12, may be used to paint the edge.

See Through Models only: Install the bottom glass shield on the side opposite of the controls. Ensure all screws have been reinstalled. See Table 1 and Figure 4.

NOTICE: See-Through Models: Screws must be replaced on the bottom edge of the trim ring, opposite the controls.

NOTICE: It is recommended that high temperature silicone sealant (500° F minimum continuous exposure rating) be used to adhere the trim ring to the finishing material.

3. Set trim ring in place.
4. Install shoulder bolts into appliance through trim ring as shown in Figure 5.

5. Install screws through trim ring into top and bottom of appliance opening. By doing both of these steps, it will ensure the trim ring does not warp or sag with heat exposure. See Figure 6.

NOTICE: Ensure internal heat shield is fastened in place before installing screws through the trim ring on the top of the appliance. See Figure 6.

6. Check to make sure bottom glass shield is in place on the side that contains the controls. See Figure 1.
7. Hang decorative front by aligning the bracket slots on the back of the decorative front with the four shoulder bolts now installed on the appliance. See Figure 8.
8. Push decorative front toward the appliance until it is flush with the installed trim ring.

Option B. Finishing Materials Less than 1/2 Inch Thick

3. Carefully break off bottom tabs of trim ring using a pliers.

WARNING! Risk of Fire! Failure to break off trim ring tab as instructed will result in elevated temperatures. Components will overheat.

4. Bend the tip of the bottom attachment tab(s) down at a 90 degree angle. Use the same pliers as in step 3. See Figure 7. This step must be completed in order to avoid interference with the inner heat shield
5. Set trim ring in place.
6. Install shoulder bolts into appliance through trim ring as shown in Figure 5.
7. Install screws through trim ring into top and bottom of appliance opening. By doing both of these steps, it will ensure the trim ring does not warp or sag with heat exposure. See Figure 6.

NOTICE: Ensure internal heat shield is fastened in place before installing screws through the trim ring on the top of the appliance. See Figure 6.

8. Check to make sure bottom glass shield is in place on the side that contains the controls. See Figure 1.
9. Hang decorative front by aligning the bracket slots on the back of the decorative front with the four shoulder bolts now installed on the appliance. See Figure 8.
10. Push decorative front toward the appliance until it is flush with the installed trim ring.

MODEL	#SCREWS
MEZZO36-B/-C CRAVE4836-B/-C ECHEL36IN/-C	4
MEZZO36ST-B/-C CRAVE4836ST-B/-C ECHEL36STIN/-C	10
MEZZO48-B/-C CRAVE6048-B/-C ECHEL48IN/-C	5
MEZZO48ST-B/-C CRAVE6048ST-B/-C ECHEL48STIN/-C	12
MEZZO60-B/-C CRAVE7260-B/-C ECHEL60IN/-C	6
MEZZO60ST-B/-C CRAVE7260ST-B/-C	14
MEZZO72-B/-C CRAVE8472-B/-C ECHEL72IN/-C	6
MEZZO72ST-B/-C CRAVE8472ST-B/-C	14

Table 1. Screw Quantities by Model Size

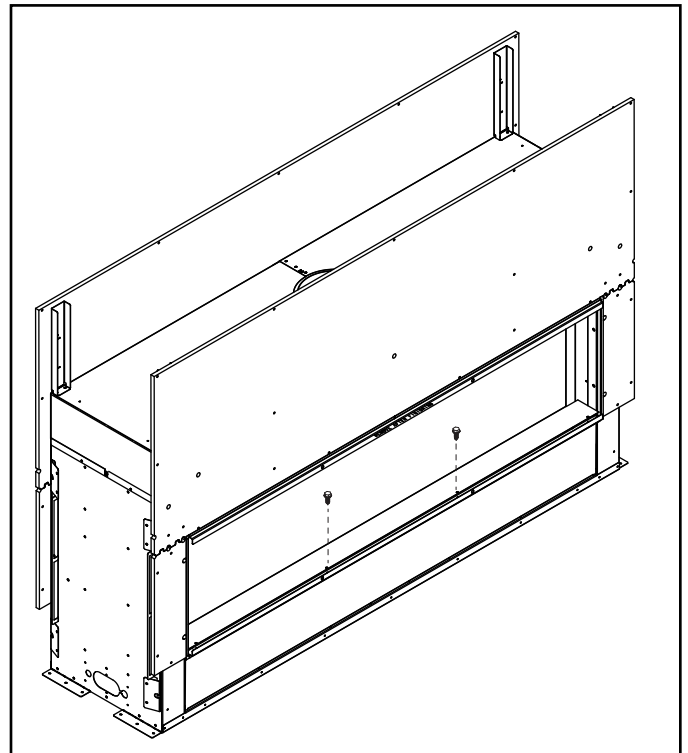


Figure 3 Remove Screws

CAUTION! Risk of Overheating and Burns! Incorrectly placed bottom glass shields will impede air flow. Component damage will occur.

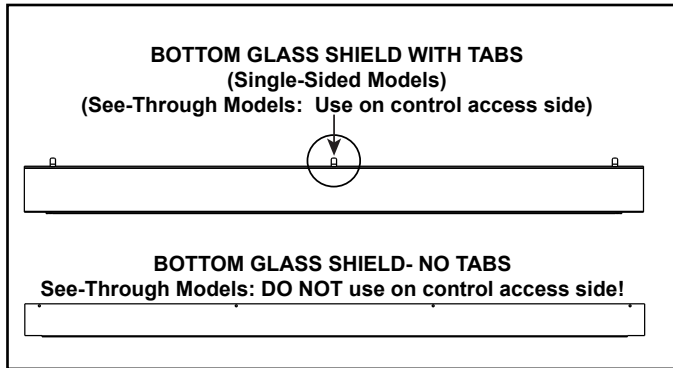


Figure 4 Bottom Glass Shield Differentiation

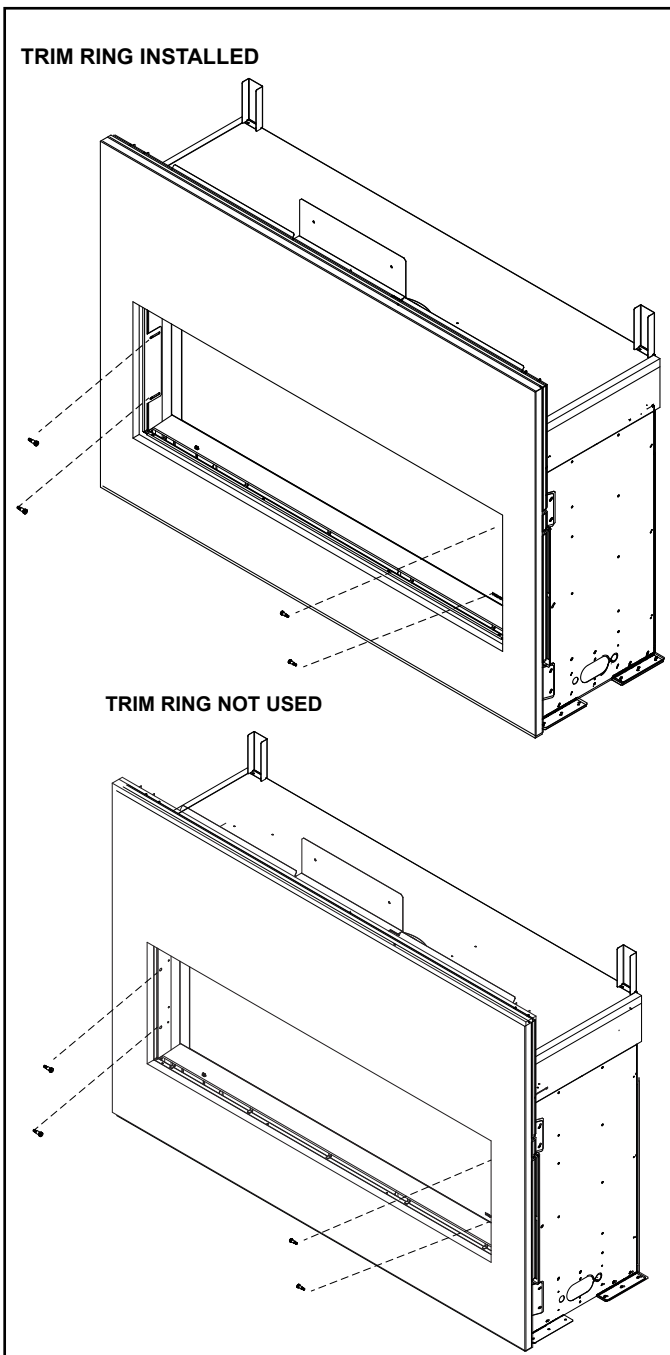


Figure 5 Install Shoulder Bolts



Figure 6 Install Screws in Trim Ring

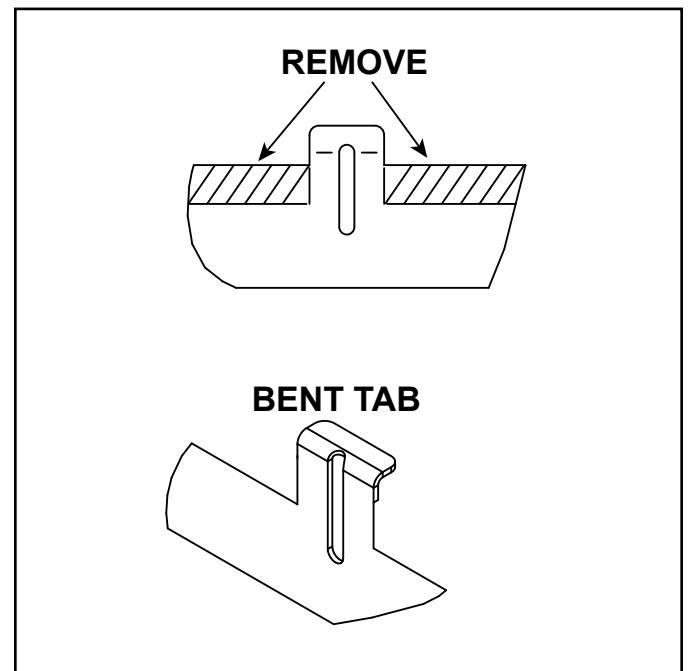


Figure 7 Bend Tab

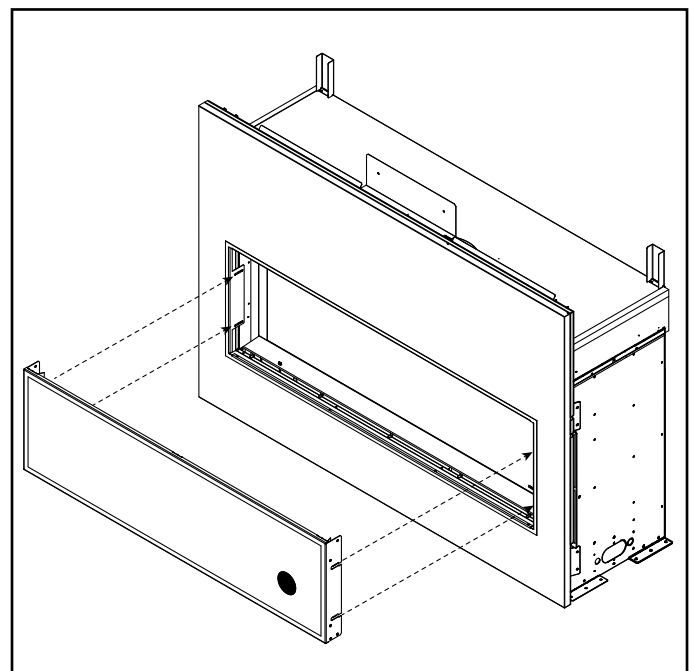


Figure 8 Install Decorative Front

Clean Face Trim Front (CFT)

Inside Fit (1-4 Inches Thick Finishing Method)

Non-Combustible Finish Materials

WARNING! Risk of Fire! DO NOT apply combustible materials beyond the minimum clearances. Comply with all minimum clearances to combustibles as specified in this manual. Overlapping materials could ignite.

Note: When a Clean Face Trim decorative front is installed, the rectangular holes in bottom access panel will be covered.

NOTICE: This four inch maximum not only includes the decorative finish materials (marble, tile, slate, etc) but also the thin set, lath and adhesive used to attach the decorative finish material.

1. Remove decorative front and components from package. See Figure 2.

Note: To install trim ring, see instructions in Overlap Fit Method section of this instruction.

2. If trim ring is in place, proceed to install the decorative front as directed in Step 8.
3. Check to make sure bottom glass shield is in place. If the finish material has been installed up to the appliance opening and its thickness is 1-4 inches, the trim ring will not be used. Continue to Step 4.
4. Remove top and bottom finishing guards. Quantity of screws will vary depending on appliance model size. See Table 2.

See-Through Models Only:

5. Install the bottom glass shield on the side opposite of the controls. Ensure all screws have been reinstalled. See Table 2 and Figure 9.

NOTICE: See-Through Models: Screws must be replaced on the bottom edge of the trim ring, opposite the controls.

For All Models:

6. Install bottom glass shield above the controls
7. Install shoulder bolts into appliance through trim ring as shown in Figure 10.
8. Hang decorative front by aligning the slots on the bracket on the back of the decorative front with the four shoulder bolts now installed on the appliance. See Figure 11.

MODEL	#SCREWS
MEZZO36-B/-C CRAVE4836-B/-C ECHEL36IN/-C	4
MEZZO36ST-B/-C CRAVE4836ST-B/-C ECHEL36STIN/-C	10
MEZZO48-B/-C CRAVE6048-B/-C ECHEL48IN/-C	5
MEZZO48ST-B/-C CRAVE6048ST-B/-C ECHEL48STIN/-C	12
MEZZO60-B/-C CRAVE7260-B/-C ECHEL60IN/-C	6
MEZZO60ST-B/-C CRAVE7260ST-B/-C	14
MEZZO72-B/-C CRAVE8472-B/-C ECHEL72IN/-C	6
MEZZO72ST-B/-C CRAVE8472ST-B/-C	14

Table 2. Screw Quantities by Model Size

CAUTION! Risk of Overheating and Burns! Incorrectly placed bottom glass shields will impede air flow. Component damage will occur.

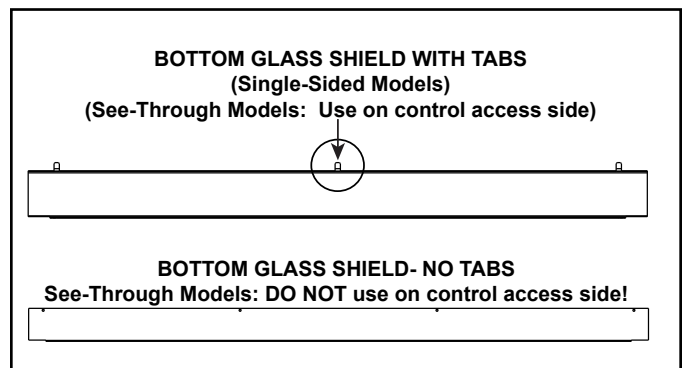


Figure 9. Bottom Glass Shield Differentiation

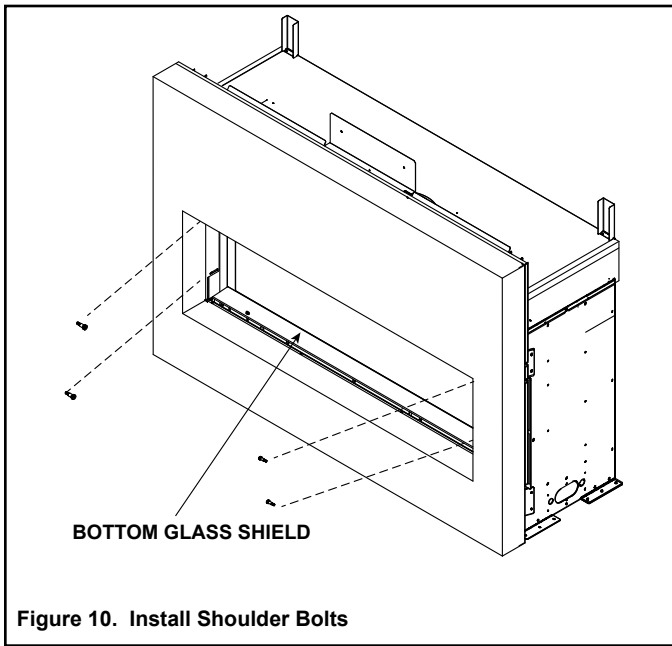


Figure 10. Install Shoulder Bolts

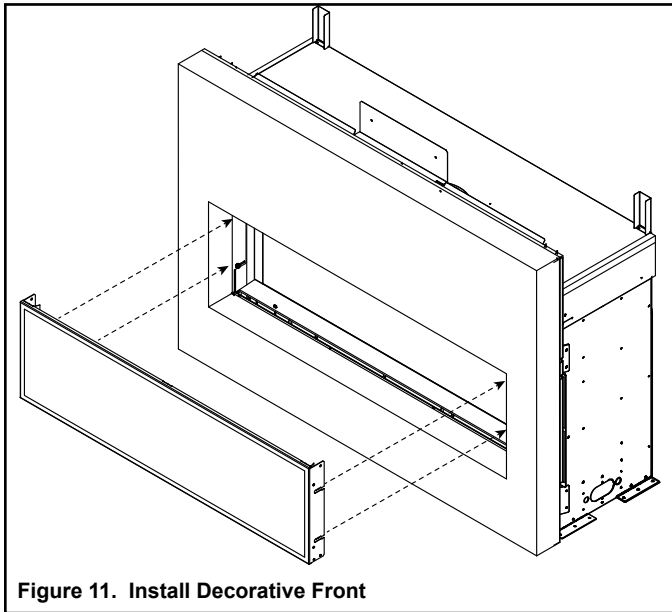


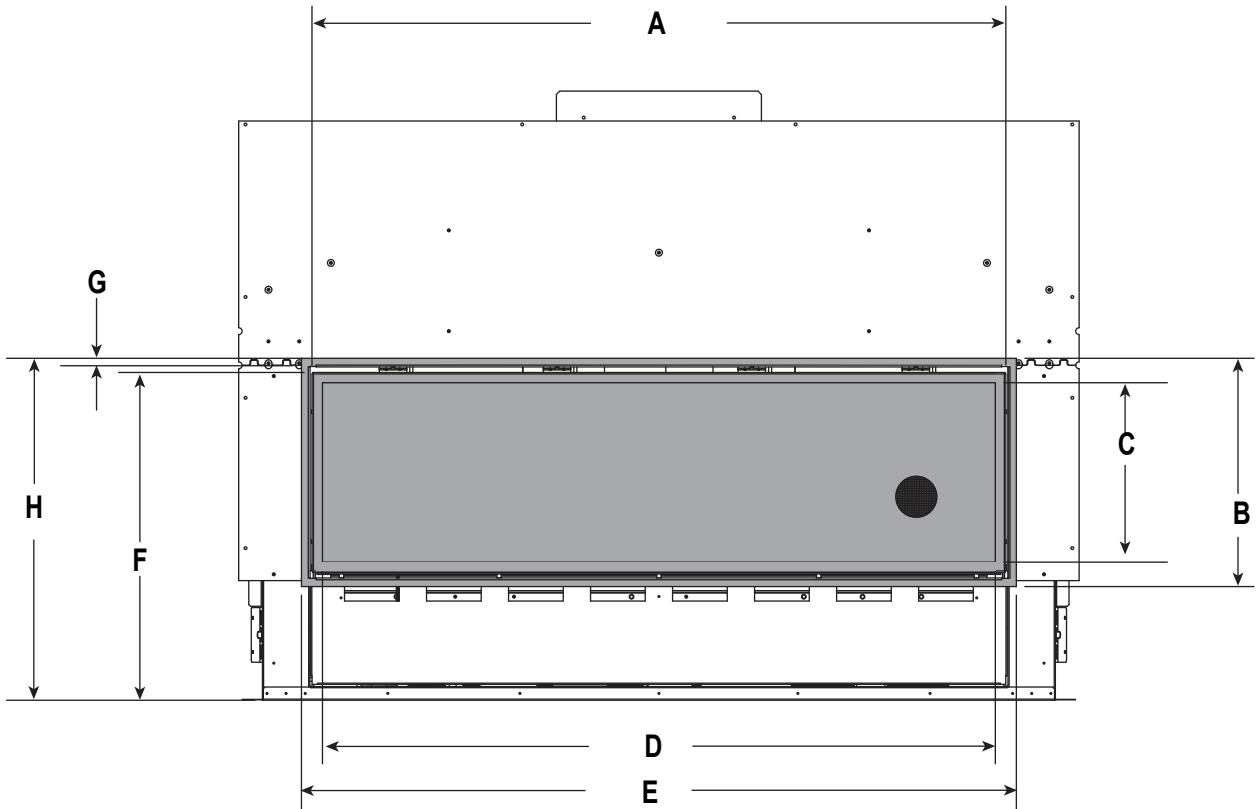
Figure 11. Install Decorative Front

Cleaning Instructions for Decorative fronts

Use a microfiber cloth and Windex® Original Glass Cleaner or 03M003 Stove Bright® Glass Cleaner to clean the decorative front immediately after installation to remove acids deposited by the installer or technician. Spray the cleaner onto the microfiber cloth and carefully wipe the entire surface. The decorative front should be cleaned in this manner annually by the homeowner to remove fingerprints or other contaminants. Once oxidation of the paint pigment has occurred, cleaning will not restore the original color.

Service Parts List

DECORATIVE FRONTS	DESCRIPTION	PART NUMBER
CFT-36	Mesh Assembly	SRV2312-035
CFT-48	Mesh Assembly	SRV2300-035
CFT-60	Mesh Assembly	SRV2321-035
CFT-72	Mesh Assembly	SRV2331-035
CFT-36-SS	Mesh Assembly	SRV2312-036
CFT-48-SS	Mesh Assembly	SRV2300-036
CFT-60-SS	Mesh Assembly	SRV2321-036
CFT-72-SS	Mesh Assembly	SRV2331-036



Location	MODEL SIZE							
	36		48		60		72	
	Inches	Millimeters	Inches	Millimeters	Inches	Millimeters	Inches	Millimeters
A	39	991	51	1295	63	1600	75	1905
B	16-3/4	425	16-3/4	425	16-3/4	425	16-3/4	425
C	13-1/8	333	13-1/8	333	13-1/8	333	13-1/8	333
D	37-3/16	945	49-3/16	1249	61-3/16	1554	73-3/16	1859
E	40-5/16	1024	52-5/16	1329	64-5/16	1634	76-5/16	1938
F	24	610	24	610	24	610	24	610
G	5/8	16	5/8	16	5/8	16	5/8	16
H	25	635	25	635	25	635	25	635

Figure 12. CFT Decorative Front Dimensions

CFT Decorative Fronts

APPLIANCE MODELS: MEZZO/CRAVE/MEZZO-AUB

Installation & Operating Instructions

CFT SKU's (MEZZO/CRAVE/MEZZO-AUB):
CFT-36-XX-C
CFT-48-XX-C
CFT-60-XX-C
CFT-72-XX-C
 (-XX = color)



Leave this manual with party responsible for use and operation.

CAUTION! Risk of Cuts, Abrasions or Flying Debris.
 Wear protective gloves and safety glasses during installation. Sheet metal edges are sharp.

DANGER

HOT GLASS WILL CAUSE BURNS.

DO NOT TOUCH GLASS UNTIL COOLED.

NEVER ALLOW CHILDREN TO TOUCH GLASS.

A barrier designed to reduce the risk of burns from the hot viewing glass is provided with this appliance and shall be installed for the protection of children and other at-risk individuals.

WARNING! Risk of Fire! Combustible materials MUST NOT overlap or be placed under a surround.

CAUTION! Do not install damaged components.

WARNING! Risk of Fire! DO NOT apply combustible materials beyond the minimum clearances. Comply with all minimum clearances to combustibles as specified. Overlapping materials could ignite and will interfere with proper operation of decorative fronts and louvers.

A. Finishing Material/Finishing Template

It's very important to know what kind of finishing material is going to be used on the fireplace. The CFT (clean face trim) decorative fronts are compatible with finishing materials from 0-4 inches. Refer to the appropriate section of this instruction for installation of front depending on thickness of finishing material.

The MEZZO-AUB models come with a finishing template installed. This template is not used with the CFT decorative fronts and must be removed before installing the decorative front. Remove the three screws that fasten the finishing template to the appliance.

Once the finishing template is removed, follow the instructions for finishing materials 0-1 inches thick or 1-4 inches thick.

Preparation

1. The Clean Face Trim (CFT) front may be installed one of two ways:
 Overlap Fit (0-1 Inch thick finishing material)
 Inside Fit (1-4 Inches thick finishing material)
 The depth of the finishing material will determine how the front is installed. See appliance installation manual, Section 10 "Finishing".
2. Verify finishing material has been installed correctly before installing the CFT front. The eight rectangular holes on the bottom access panel **MUST** be covered. The maximum finishing material thickness is 4 inches. See Figure 1.
3. Follow the instructions for finishing materials 0-1 inches thick (Overlap) OR 1-4 inches thick (Inside Fit).

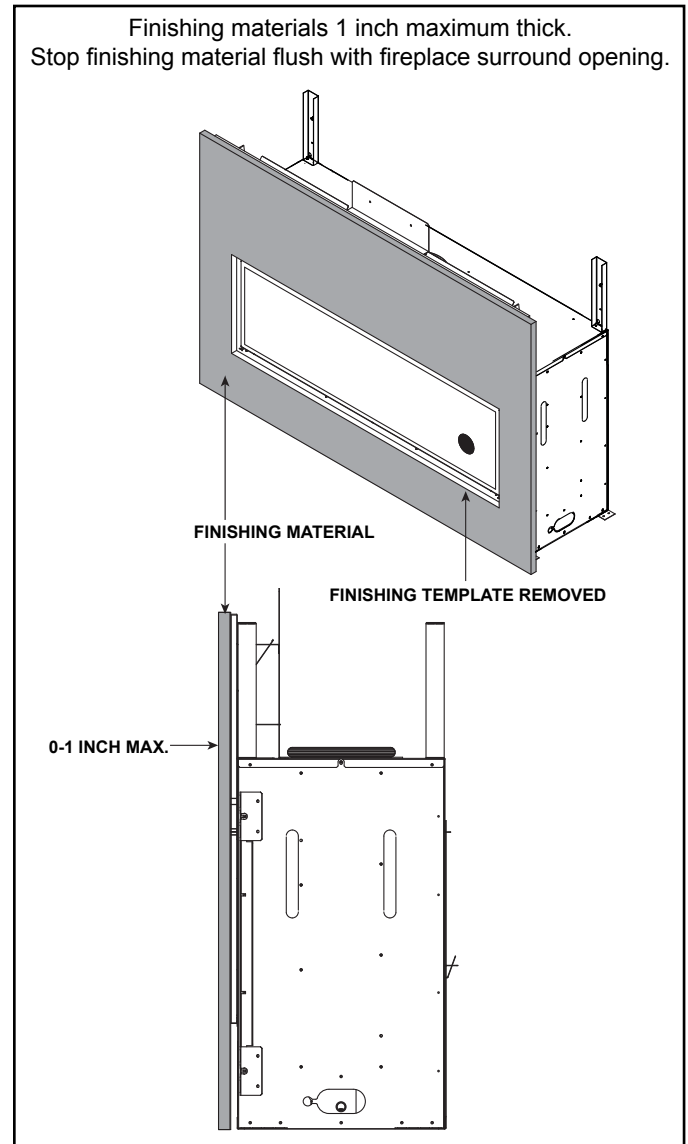


Figure 1. Inside Fit Decorative Front

Clean Face Trim Front (CFT)

Overlap Fit (0-1 Inch Thick Finishing Method)

Non-Combustible Finish Materials

Option A: Finishing Materials 1/2-1 Inch Thick

Option B: Finishing Materials Less than 1/2 Inch Thick

WARNING! Risk of Fire! DO NOT apply combustible materials beyond the minimum clearances. Comply with all minimum clearances to combustibles as specified in this manual. Overlapping materials could ignite.

Note: When a Clean Face Trim decorative front is installed, the rectangular holes in bottom access panel will be covered.

NOTICE: One inch maximum not only includes the decorative finish materials (marble, tile, slate, etc) but also the thin set, lath and adhesive used to attach the decorative finish material.

For all Models:

1. Remove decorative front and components from package. See Figure 2.

For finishing materials less than 1/2 inch thick continue to Option B.

For finishing materials 1/2 inch-1 inch thick proceed to Option A.

Option A. Finishing Materials 1/2 Inch-1 Inch Thick

Note: Install CFT trim ring to obtain the cleanest finish. The trim ring may be adjusted outward up to one inch and sit on top of the non-combustible finishing material.

Note: Depending on the thickness of finishing material (1in. max.), the edge of the factory-included non-combustible board or finishing material may be visible. High temperature black paint, such as Hearth & Home Technologies TUP-GBK-12, may be used to paint the edge.

See Through Models only: Install the bottom glass shield on the side opposite of the controls. Ensure all screws have been reinstalled. See Figure 4.

NOTICE: See-Through Models: Screws must be replaced on the bottom edge of the trim ring, opposite the controls.

NOTICE: It is recommended that high temperature silicone sealant (500° F minimum continuous exposure rating) be used to adhere the trim ring to the finishing material.

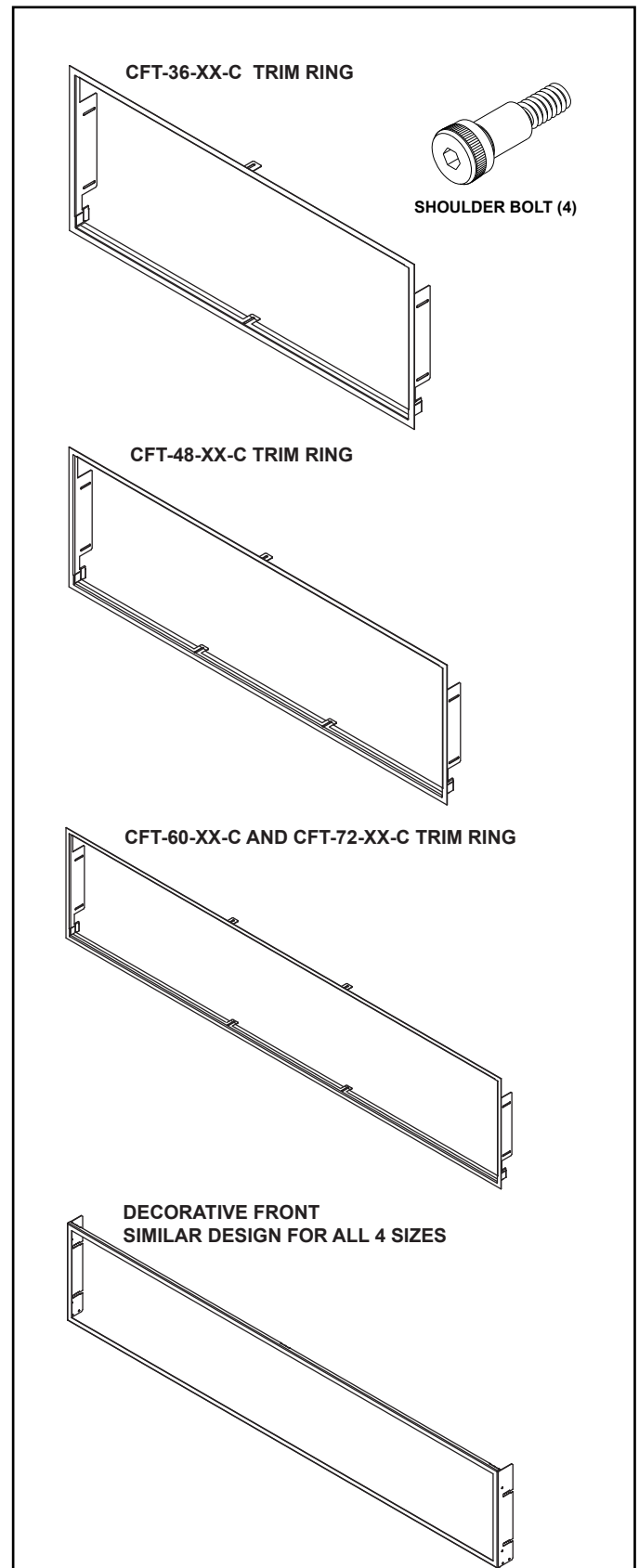


Figure 2 CFT Front Components

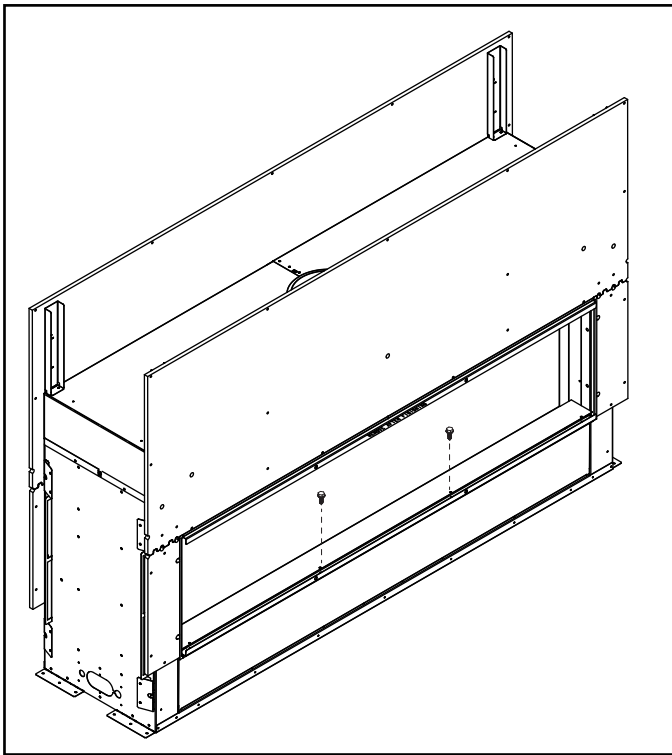


Figure 3 Remove Screws

2. Set trim ring in place.
3. Install shoulder bolts into appliance through trim ring as shown in Figure 5.
4. Install screws through trim ring into top and bottom of appliance opening. By doing both of these steps, it will ensure the trim ring does not warp or sag with heat exposure. See Figure 6.

NOTICE: Ensure internal heat shield is fastened in place before installing screws through the trim ring on the top of the appliance. See Figure 6.

5. Check to make sure bottom glass shield is in place on the side that contains the controls. See Figure 7 in Section B (Decorative Front Preparation and Installation).
6. Hang decorative front by aligning the bracket slots on the back of the decorative front with the four shoulder bolts now installed on the appliance. See Figure 8 in next section (Option B. Finishing Materials Less than 1/2 Inch Thick).
7. Push decorative front toward the appliance until it is flush with the installed trim ring.

Option B. Finishing Materials Less than 1/2 Inch Thick

2. Carefully break off bottom tabs of trim ring using a pliers.

WARNING! Risk of Fire! Failure to break off trim ring tab as instructed will result in elevated temperatures. Components will overheat.

3. Bend the tip of the bottom attachment tab(s) down at a 90 degree angle. Use the same pliers as in Step 3. See Figure 7. This step must be completed in order to avoid interference with the inner heat shield
4. Set trim ring in place.
5. Install shoulder bolts into appliance through trim ring as shown in Figure 5.
6. Install screws through trim ring into top and bottom of appliance opening. By doing both of these steps, it will ensure the trim ring does not warp or sag with heat exposure. See Figure 6.

NOTICE: Ensure internal heat shield is fastened in place before installing screws through the trim ring on the top of the appliance. See Figure 6.

7. Check to make sure bottom glass shield is in place on the side that contains the controls. See Figure 7 in Section B (Decorative Front Preparation and Installation).
8. Hang decorative front by aligning the bracket slots on the back of the decorative front with the four shoulder bolts now installed on the appliance. See Figure 8.
9. Push decorative front toward the appliance until it is flush with the installed trim ring.

CAUTION! Risk of Overheating and Burns! Incorrectly placed bottom glass shields will impede air flow. Component damage will occur.

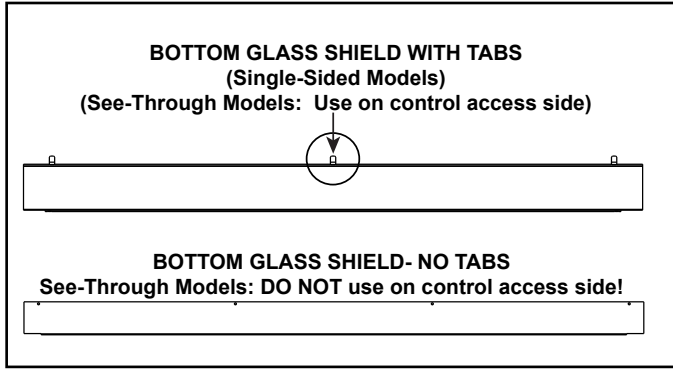


Figure 4 Bottom Glass Shield Differentiation

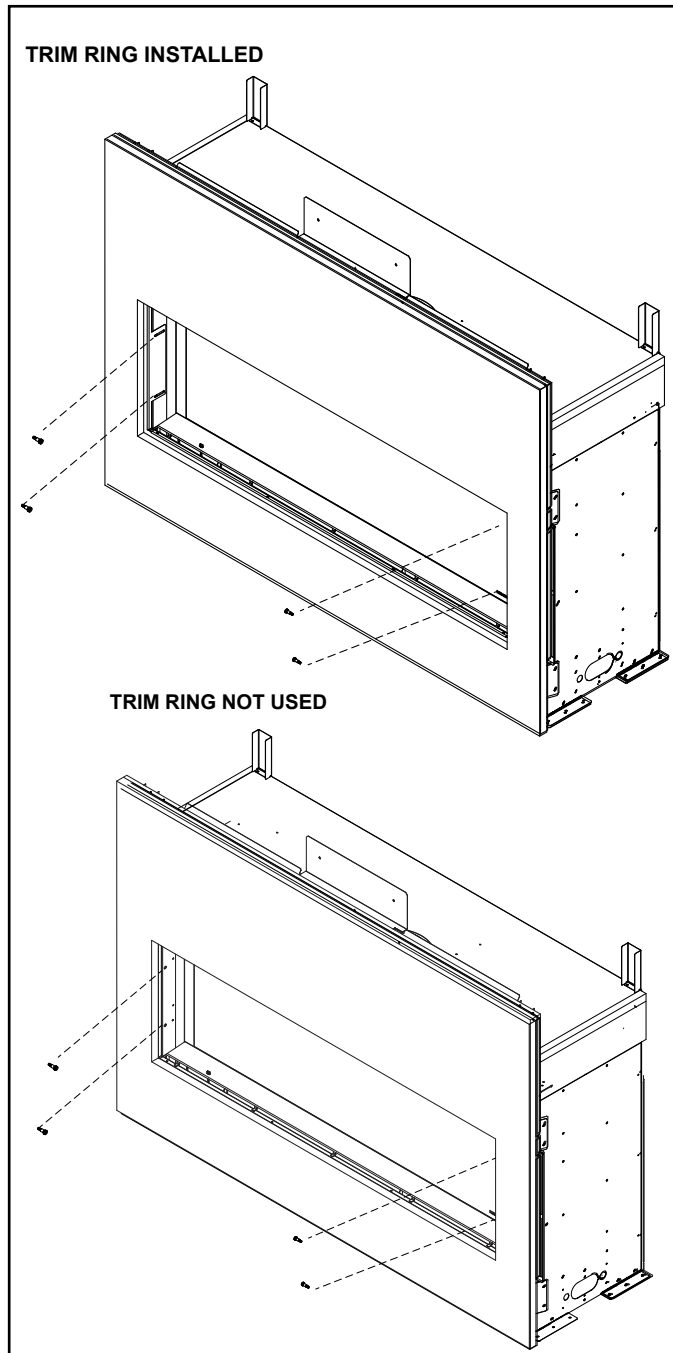


Figure 5 Install Shoulder Bolts



Figure 6 Install Screws in Trim Ring

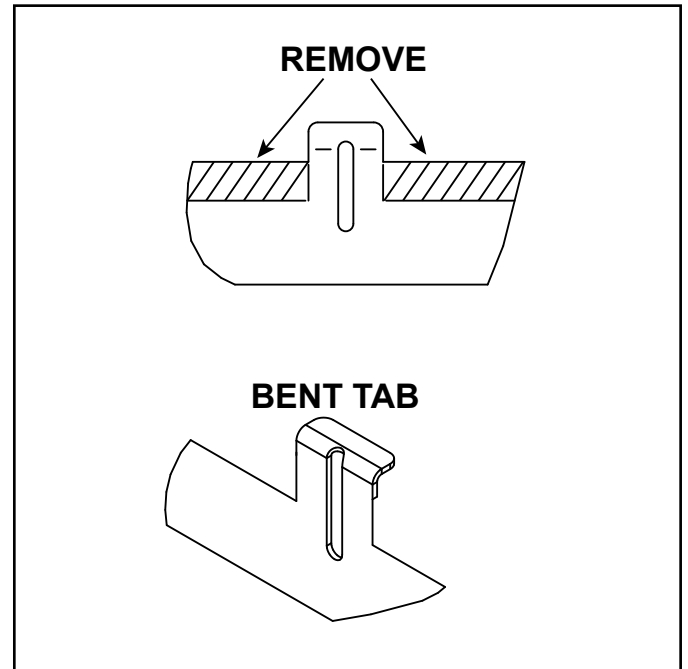


Figure 7 Bend Tab

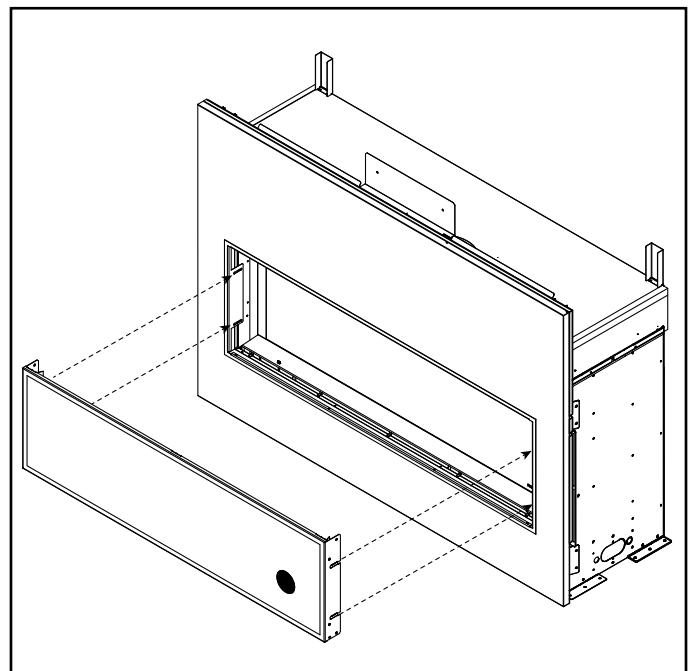


Figure 8 Install Decorative Front

Clean Face Trim Front (CFT)

Inside Fit (1-4 Inches Thick Finishing Method)

Non-Combustible Finishing Materials

The trim ring acts as a finishing template in this application. Non-combustible finishing material, one to four inches thick, will be installed up to the outside edges of the trim ring as shown in Figure 2. Note that the CFT decorative front is the only decorative front approved for MEZZO-AUB models that allows finishing material thickness to be greater than one inch.

The finishing material will also cover the rectangular holes. Refer to Figure 7 for the location of the rectangular holes.

1. Install the trim ring to the wall. See Section B for details regarding the installation of the trim ring.
2. Install non-combustible finishing material up to the outer edges of the trim ring as shown in Figure 2.

NOTICE: If finishing material extends past the inside opening of the trim ring, the decorative front will not fit on the appliance properly.

3. Install CFT front per the instructions in Section B.

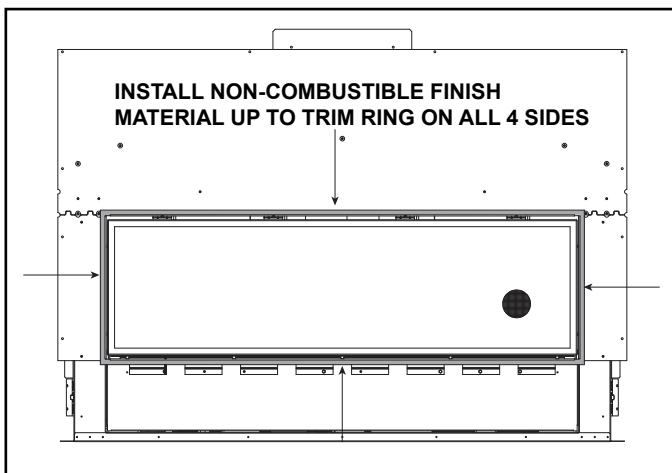


Figure 2. Install Non-Combustible Material

B. Decorative Front Preparation and Installation

1. Remove decorative front from the package.
2. Remove other components from package. Components included will depend on the front being installed. See Figure 3.

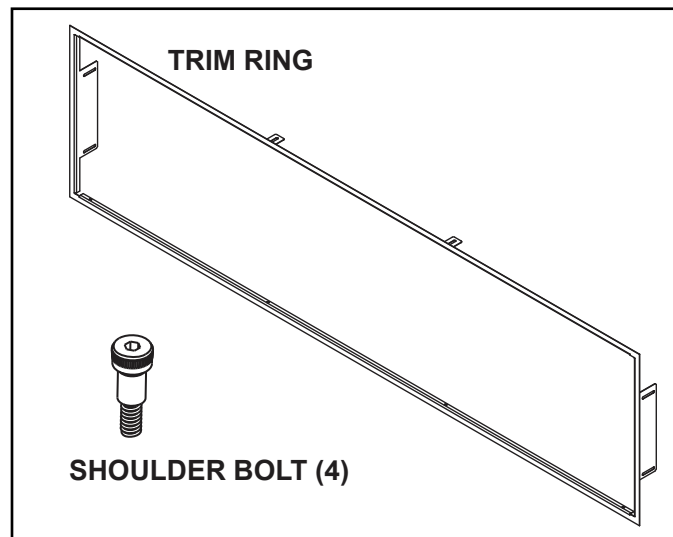


Figure 3. Shoulder Bolt & Trim Ring

3. Check to make sure bottom glass shield is in position above controls. See Figure 7.

See Through Models:

Bottom glass shield with tabs (Figure 4) must be installed on the same side of the appliance in which the controls are located. A second bottom glass shield (Figure 4) is installed on the other side of the appliance.

CAUTION! Risk of Overheating and Burns! Incorrectly placed bottom glass shields will impede air flow. Component damage will occur.

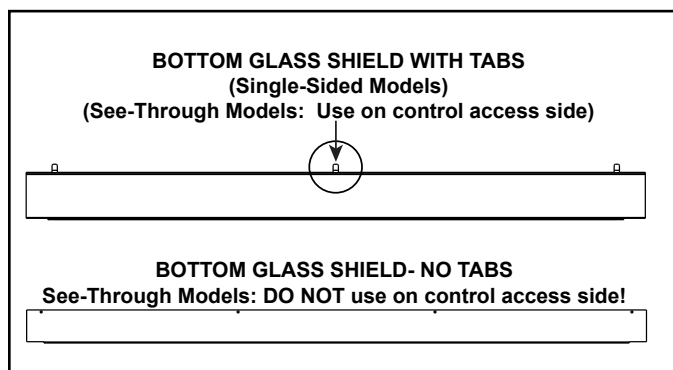


Figure 4. Bottom Glass Shield Differentiation

4. MEZZO1000-AUB (MEZZOMEZZO48/MEZZO48ST): Remove screw on top of appliance opening as shown in Figure 5.

See Through Appliances: Remove 4 screws on bottom edge opposite of controls.

MEZZO1300-AUB (MEZZO60/MEZZO60ST)
MEZZO1600-AUB (MEZZO72/MEZZO72ST):
Remove two screws on top of appliance opening.
See Figure 5.

See Through Appliances: Remove 4 screws on bottom edge opposite of controls.



Figure 5. Remove Screw from Top of Appliance Opening

5. Place trim ring on appliance as shown in Figure 6.



Figure 6. Install Trim Ring

6. Install four shoulder bolts into appliance through trim ring as shown in Figure 7 and Figure 8.

Note: The inside trim ring corners may show exposed finishing material. It is recommended to cover any exposed surfaces with black touch up paint for a clean look.

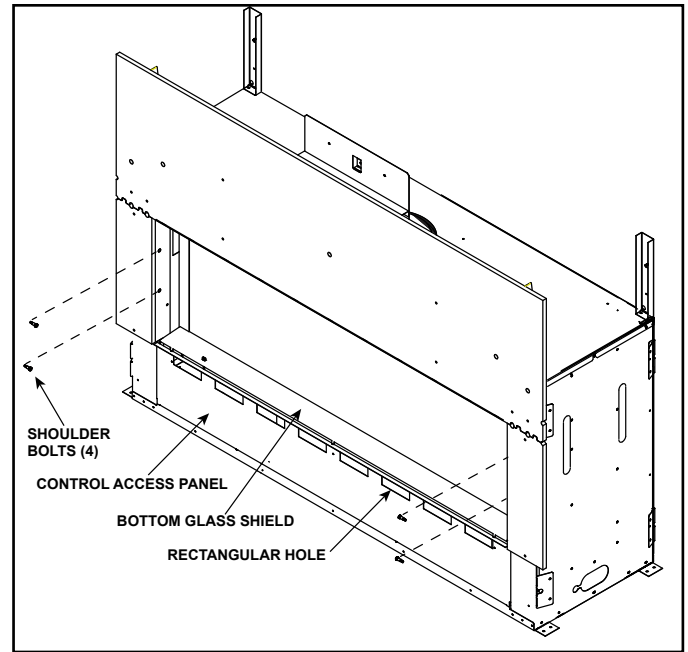


Figure 7. Install Shoulder Bolts



Figure 8. Shoulder Bolts Installed

7. Install screws through trim ring into top and bottom of appliance opening. High temperature silicone (500°F minimum continuous exposure rating) may be used to adhere the trim ring to the finishing material if desired.
8. If silicone is used to adhere trim ring to the finishing material, the screws used in step 7 may be removed for a clean look. On See-Through models, the screws must be left in the bottom edge opposite of controls in order to hold the bottom glass shield in place and seal the screw holes.
9. Hang the decorative front by aligning the slots on the bracket on the back of the decorative front with the four shoulder bolts now installed on the appliance. See Figure 9. Push decorative front toward the appliance until it is flush with the installed trim ring.

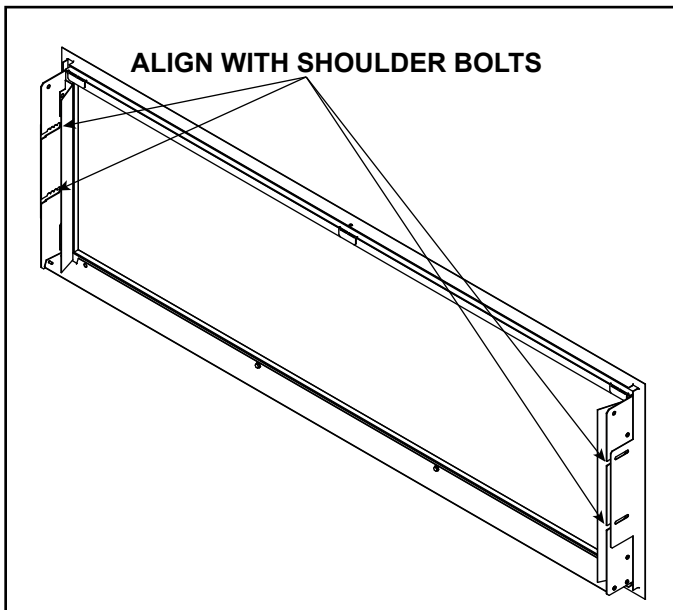


Figure 9. Align Slots with Shoulder Bolts

Cleaning Instructions for Decorative fronts

Use a microfiber cloth and Windex® Original Glass Cleaner or 03M003 Stove Bright® Glass Cleaner to clean the decorative front immediately after installation to remove acids deposited by the installer or technician. Spray the cleaner onto the microfiber cloth and carefully wipe the entire surface. The decorative front should be cleaned in this manner annually by the homeowner to remove fingerprints or other contaminants. Once oxidation of the paint pigment has occurred, cleaning will not restore the original color.

DECORATIVE FRONTS	DESCRIPTION	PART NUMBER
CFT-36	Mesh Assembly	SRV2312-035
CFT-48	Mesh Assembly	SRV2300-035
CFT-60	Mesh Assembly	SRV2321-035
CFT-72	Mesh Assembly	SRV2331-035
CFT-36-SS	Mesh Assembly	SRV2312-036
CFT-48-SS	Mesh Assembly	SRV2300-036
CFT-60-SS	Mesh Assembly	SRV2321-036
CFT-72-SS	Mesh Assembly	SRV2331-036

Please contact your Hearth & Home Technologies dealer with any questions or concerns.

For the location of your nearest
Hearth & Home Technologies dealer,
please visit www.hearthnhome.com.

Hearth & Home Technologies
7571 215th Street West, Lakeville, MN 55044
www.hearthnhome.com