

**IMPORTANT INFORMATION REGARDING YOUR PRO-SPIN™ TOOL.**  
**WARNING: PLEASE READ THIS AND ALL OF THE OWNERS MANUAL BEFORE YOU ATTEMPT TO USE.**

**YOUR PRO-SPIN™ RODS ARE DESIGNED FOR USE WITH A CLUTCH DRILL ONLY.**

**THE CLUTCH MUST BE USED TO PREVENT ANY DAMAGE TO YOUR PRO-SPIN™ RODS AND PARTS.**

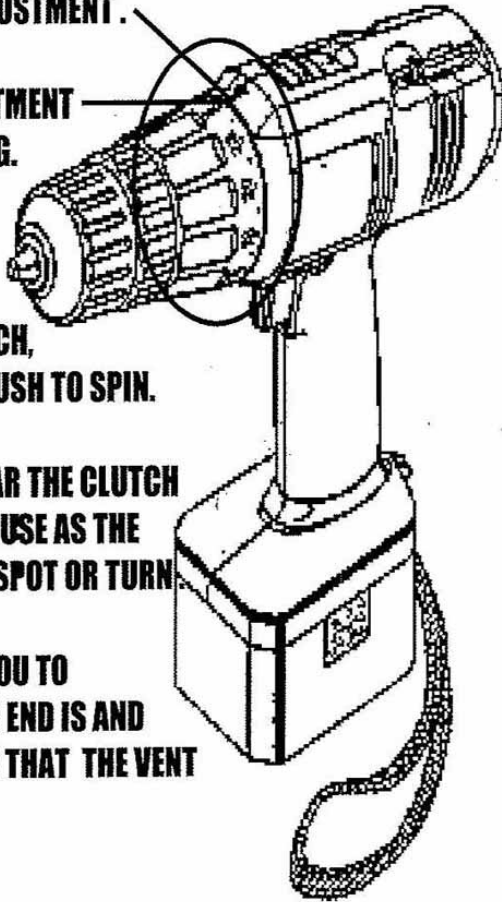
**FOR USE WITH A CORDLESS DRILL THAT HAS A CLUTCH (TORQUE) ADJUSTMENT.**

**FIRST USE THIS ADJUSTMENT AT ITS LOWEST SETTING.**

**SWITCH TO THE NEXT SETTING ONLY IF THE CLUTCH SLIPS TOO MUCH, NOT ALLOWING THE BRUSH TO SPIN.**

**YOU WILL WANT TO HEAR THE CLUTCH SLIP SLIGHTLY DURING USE AS THE TOOL GETS TO A TIGHT SPOT OR TURN.**

**THIS WILL ALSO HELP YOU TO DETERMINE WHERE THE END IS AND THE AMOUNT OF TURNS THAT THE VENT MAY HAVE.**



### **TOP 10 WAYS TO DAMAGE YOUR TOOL**

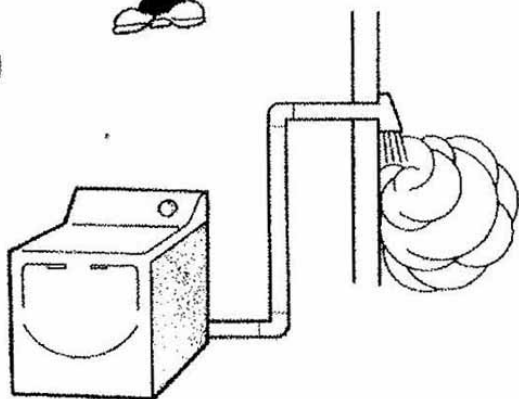
- 1) **USING AN ELECTRIC DRILL OR ONE WITHOUT A CLUTCH.**  
*This will over-torque your Super Flex rods causing warping, kinking and, in extreme cases, breakage of the rod end.*
- 2) **HAVING YOUR CLUTCH ON TOO HIGH OF A SETTING.** *This will also cause over-torque of the Super Flex Rods and similar damage.*
- 3) **TUGGING ON YOUR SUPER FLEX RODS.**  
*Tugging on the Super Flex Rods will result in reducing the strength of the rod causing it to become "limp", as well as doing damage to your attachments.*
- 4) **TOO MUCH ROD OUTSIDE OF THE VENT.**  
*This will "twist up" your Super Flex Rod, causing it to warp or kink. This may also be physically dangerous as loose items, clothing and appendages may be caught by the twisting rod.*
- 5) **POINTING YOUR DRILL AWAY FROM THE VENT.**  
*This can cause the rod end to break off.*
- 6) **RUNNING DOWN THE WRONG VENT.**  
*This is unexplored territory. You may not have the correct attachment for the vent or the vent itself may be damaged.*
- 7) **CLEANING DAMAGED VENTS**  
*This action may result in damaging or destroying both your Super Flex Rods and the attachments.*
- 8) **USING CHEMICAL CLEANERS WITH THE TOOL.**  
*This is a fast way to destroy your Super Flex Rods and the attachments.*
- 9) **NOT CHECKING FOR AIR FLOW FIRST.** *If there is no air flow outside the vent the vent may not be connected inside the wall.*
- 10) **USING THE TOOL WITH THE DRYER STILL ON.**  
*This is the high risk takers shortcut, that can damage the fan and your equipment.*

**WARNING, FAILURE TO USE THE CLUTCH PROPERLY COULD CAUSE HARM TO THE TOOL, YOURSELF AND OR THE VENT SYSTEM. BENT RODS ARE A DIRECT RESULT OF MISUSE BY NOT PROPERLY USING THE CLUTCH AND WILL NOT BE COVERED UNDER PRO-SPINS WARRANTY.**

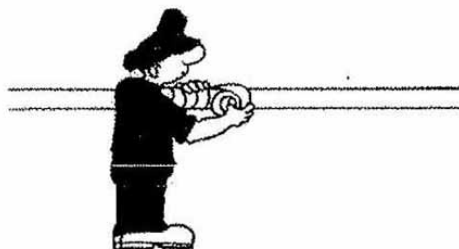


**"FOR PEAK PERFORMANCE YOUR DRYER NEEDS A GOOD EXHAUST SYSTEM!"**

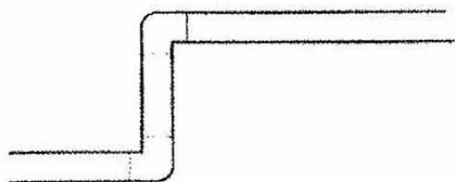
**DO**



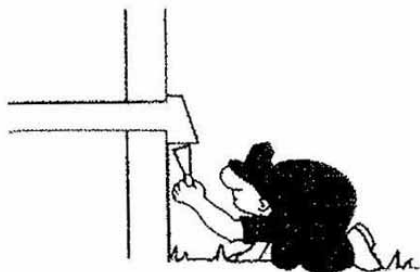
**DO** LET YOUR DRYER EXHAUST THE AIR EASILY.



**DO** USE 4" DIAMETER RIGID METAL DUCT. TAPE JOINTS. NEVER USE SCREWS.



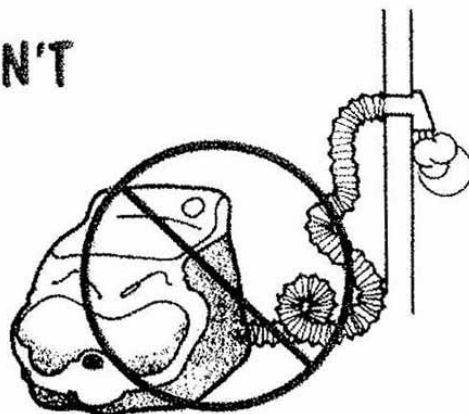
**DO** KEEP RUNS AS STRAIGHT AS POSSIBLE.



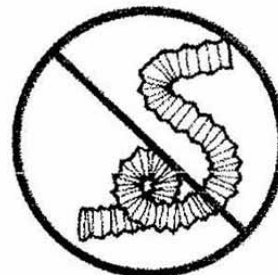
**DO** CLEAN USED DUCT FIRST. BE SURE HOOD FLAP OPENS AND CLOSES FREELY.

**DO** READ THE INSTALLATION INSTRUCTIONS AND THE USER'S GUIDE.

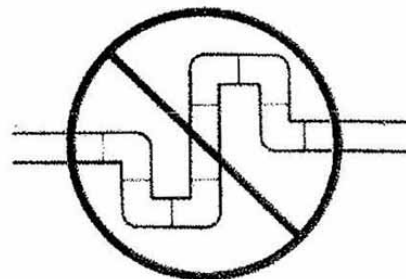
**DON'T**



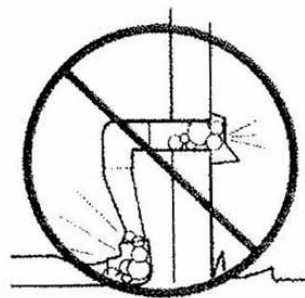
**DON'T** PLUG YOUR DRYER WITH A POOR EXHAUST SYSTEM.



**DON'T** USE PLASTIC, THIN FOIL, OR NON-METAL FLEXIBLE DUCT.

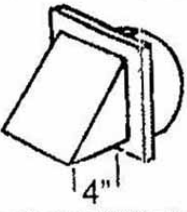
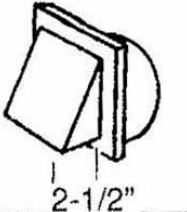


**DON'T** USE LONG RUNS WITH MANY ELBOWS.



**DON'T** NEGLECT CRUSHED OR CLOGGED DUCT.

**DON'T** LET A POOR EXHAUST SYSTEM CAUSE SLOW DRYING.

Exhaust Hood Type		
Number of 90° Turns		
Maximum length of 4-inch diameter rigid metal duct		
0	65 ft.	59 ft.
1	54 ft.	48 ft.
2	44 ft.	38 ft.
3	36 ft.	30 ft.
4	28 ft.	22 ft.
Maximum length of 4-inch diameter flexible stiff walled metal duct		
0	36 ft.	28 ft.
1	32 ft.	24 ft.
2	28 ft.	20 ft.
3	25 ft.	17 ft.
4	23 ft.	15 ft.

Keep exhaust duct as straight and short as possible. Exhaust systems longer than recommended can extend drying times, affect machine operation and may collect lint. Secure joints with duct tape. Do not use screws.

**DO NOT EXHAUST DRYER INTO ANY WALL, CEILING, CRAWL SPACE OR A CONCEALED SPACE OF A BUILDING, GAS VENT, ANY OTHER COMMON DUCT OR CHIMNEY. THIS COULD CREATE A FIRE HAZARD FROM LINT EXPELLED BY THE DRYER.**

The exhaust duct should end with an exhaust hood with a swing out damper to prevent backdrafts and entry of wildlife. Never use an exhaust hood with a magnetic damper. The hood should have at least 12 inches of clearance between the bottom of the hood and the ground or other obstruction. The hood opening should point down. Never install a screen over the exhaust outlet.

When possible, do not exhaust the dryer directly into a window well in order to avoid lint build-up. Do not exhaust under a house or porch.

If exhaust ductwork must run through an unheated area, the duct should be insulated and slope slightly down towards the exhaust hood to reduce condensation and lint build-up.

If an existing exhaust system is to be used with your new dryer, you must be sure:

- The exhaust system meets all local, state and national codes.
- That plastic flexible duct is not used.
- To completely inspect and clean all lint accumulation from the interior of the duct.
- The duct is not kinked or crushed.
- The exhaust hood damper opens and closes freely.

The static pressure in any exhaust system must not exceed 0.92 inches of water column, or be less than 0. This can be measured with the dryer running with a manometer at the point where the exhaust duct connects to the dryer. A no heat setting should be used. The dryer tumbler should be empty and the lint filter clean.

Inspect and clean the interior of the exhaust system at least once a year. Disconnect electrical service prior to cleaning. Check the gas line on gas dryers anytime the dryer is moved.

Frequently check to be sure the exhaust hood damper opens and closes freely.

## NONEXHAUSTED INSTALLATIONS

If the electric dryer is not exhausted to the outside, the exhaust must not terminate directly behind the dryer. Use a rectangular vent kit along with a dacron mesh lint bag (see Accessories). Maintain a 6" clearance between the back of the control panel and the wall. Although the lint screen and lint bag will retain most of the lint, a certain amount will be expelled into the laundry area.

**WARNING: IF THE DRYER IS NOT EXHAUSTED TO THE OUTSIDE, SOME FINE LINT WILL BE EXPELLED INTO THE LAUNDRY AREA. AN ACCUMULATION OF DUST OR LINT IN ANY AREA OF THE HOME CREATES A FIRE HAZARD. ANY LINT ACCUMULATIONS MUST BE CLEANED FREQUENTLY.**