

Selkirk Chimney System Roof Brace Kit (With Nut Retainer)

(USA Only - See separate instructions for Canada) (PART NO. 6T-RBK, 7T-RBK, 8T-RBK)

LIST OF CONTENTS

QTY.	ITEMS	QTY.	ITEMS	QTY.	ITEMS
2 ea.	Angle Bracket 1 ¼ sq. x 4"	2 ea.	Chimney Support Band	2 ea.	Telescoping Tubes
4 ea.	¼ x 2" Lag Bolts	4 ea.	¼ - 20 Hex Flange Nuts	2 ea.	¼ - 20 x 1" Bolts
2 ea.	¼ - 20 x 1" Bolts	2 ea.	¼ - 20 x ½" Carriage Bolts	2 ea.	¼ - 20 Hex Flange Nuts
2 ea.	¼ - 20 Hex Flange Nuts	2 ea.	¼ - 20 x2" Carriage Bolts		

This kit contains a universal hardware pack which includes some items that will not be used

- 1.** Form the Chimney Support Band into a half circle (if not preformed) and place around the chimney. If desired, use a length of chimney to help aid in forming shape.
The Band should be located at a minimum height of ½ - ¾ the height the chimney extends above the roof. (See Figure 1).
- c.** Temporarily hold the tubes together by tightening the hose clamp over the cut section of the larger tube.
d. Repeat for the other telescoping tube assembly.
- 2.** One end of each square/bent tab of the Support Band will have a square hole while the other end will have a slot. Put the two halves together so the band is formed into a complete circle with each side having a slot and a square hole. (See Figure 2).
- 7.** Attach one end of each Telescoping Tube Assembly to each Angle Bracket, using one (1) ¼ - 20 x 1" bolt and nut. (See Figure 4). Attach the other end of the Telescoping Tube to the Chimney Support Band using the pre-attached ¼ - 20 x ½" Carriage bolt and nut. (See Figure 2). The flattened tube ends can be bent as necessary.
- 3.** Temporarily fasten the outside ends (slot and square hole) together, using the ¼ - 20 x ½" Carriage Bolt and nut. The bolt should be inserted from inside the square area pointing away from the Support Band. (See Exploded View, Figure 2).
- 8.** Adjust the Telescoping Tubes as needed by loosening the bolt or hose clamp which secures the inner tube to the outer tube, extending to the needed length and re-tightening the bolt.
- 4.** Pass the (2) ¼" x 2" bolts behind the previously installed bolt and secure the two halves together. (See Figure 2).
- 9.** Remove the nails that were temporarily holding the Angle Brackets to the roof. Secure the Angle Brackets to the roof structure using (2) two ¼ x 2" Lag Bolts for each bracket.
- 5.** Determine the location of the Angle Brackets on the roof structure, rafters or framing. Secure to roof temporarily, using nails to hold in place. (See Figure 4).
- 10.** Check all required dimensions and angles, ensure chimney is level and plumb, adjust if necessary.
- 6.** Assemble Telescoping Tubes as follows (See Figure 3)*:
 - a.** Slide the supplied Hose Clamp over the larger diameter (outer) tube.
 - b.** Insert smaller diameter (inner) tube into the larger tube.
- 11.** Finish tightening all bolts and nuts.
- 12.** For added security, lock tubes in place by using ⅛" x ½" stainless steel self-tapping screw (supplied) through the pilot holes found near the hose clamps.
- 13.** Clean tubing with solvent
- 14.** Paint with rust preventative, primer and outdoor paint.

* If your kit contains a Nut Retainer instead of a Hose Clamp, follow instructions in the section entitled "Nut Retainer"

Nut Retainer

Additional Instructions

2 ea. Nut Retainers
2 ea. 1/4-20 x 1" Bolts
2 ea. 1/4-20 Hex Flange Nuts

If your kit includes a Nut Retainer, assemble Telescoping Tube as follows:

- a. Place a 1/4 - 20 x 1" bolt through the hole in the Nut Retainer (See Fig. 3a)
- b. Attach 1/4 - 20 Hex Flange Nut from inside the Nut Retainer to the bolt.
- c. Place this assembly over the larger tube, which has a hole punched through one wall of the tubing.
- d. Position the Nut Retainer assembly so the bolt can be threaded through the hole in the side of the tubing.
- e. Insert the smaller tube inside the larger tube.
- f. To secure the telescoping tube assembly in a locked position, tighten the 1" bolt in the Nut Retainer. To adjust the tubes, loosen the bolt.

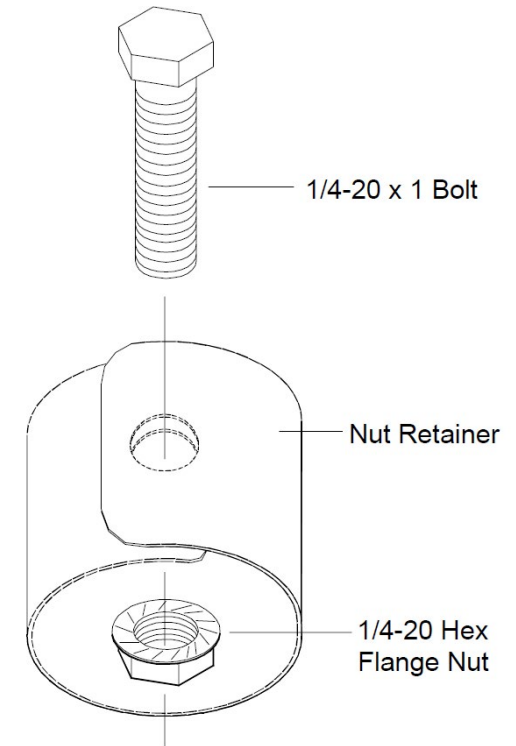


Figure 1

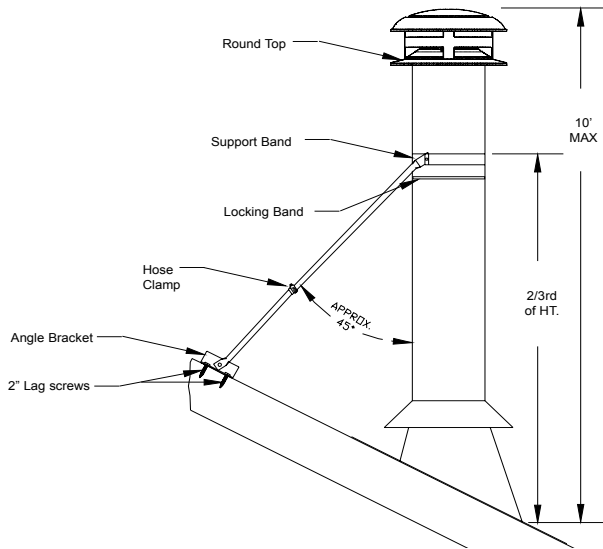


Figure 2

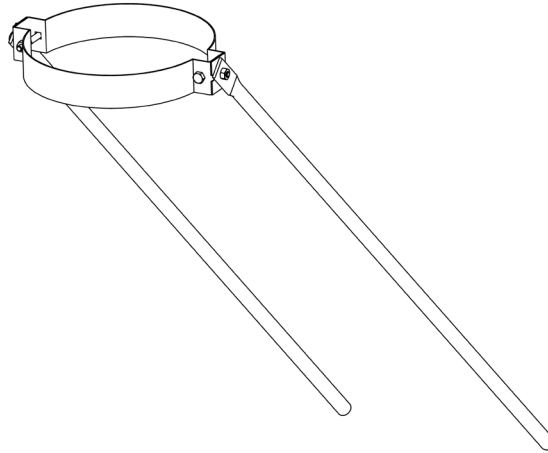


Figure 2 - Exploded View

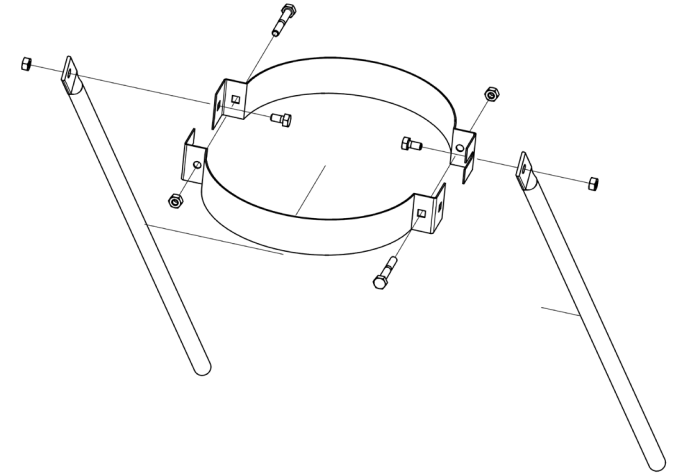
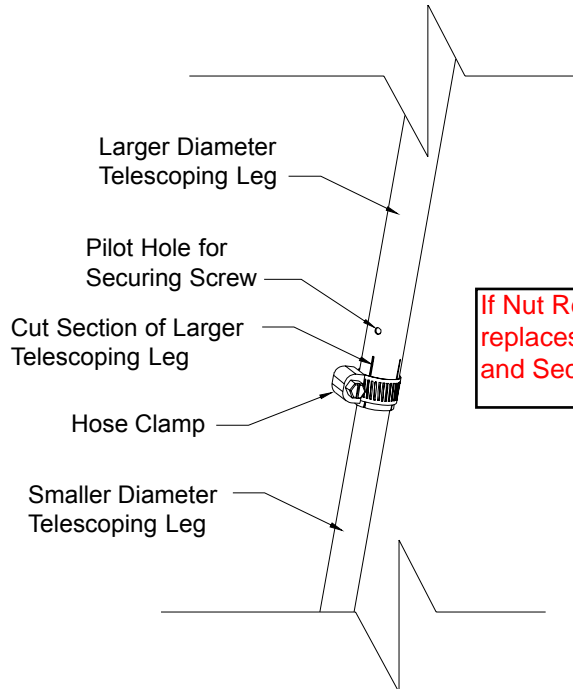


Figure 3



If Nut Retainer is used, it replaces the Hose Clamp and Securing Screw in Fig. 3

Figure 4

