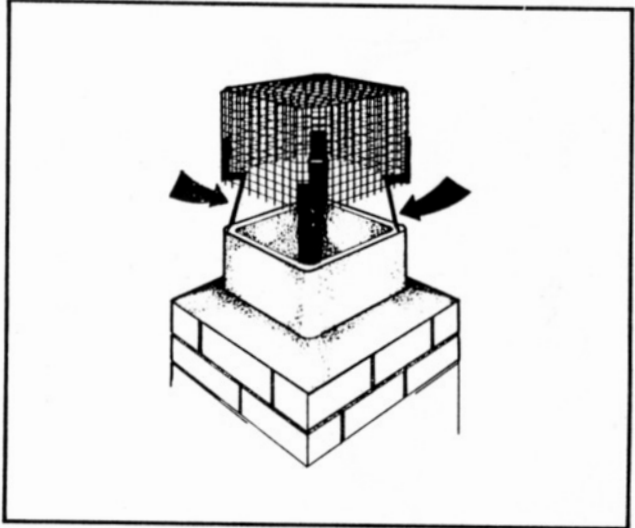


HYC

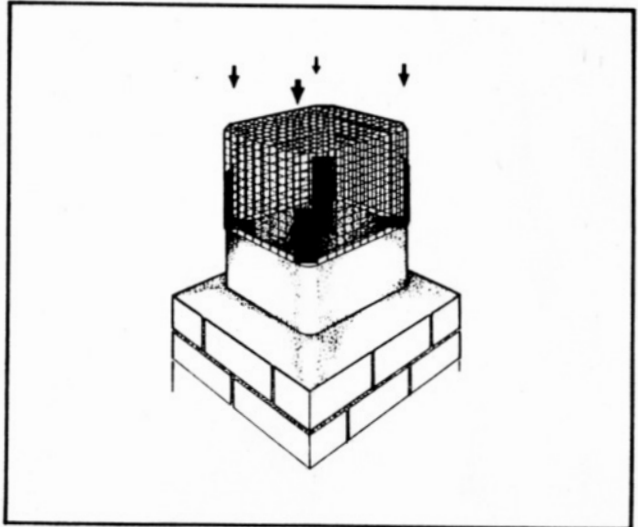
Spark Arrestor Screen

INSTALLATION INSTRUCTIONS

For tile lined chimney, slip the fins into the tile by pushing fins in slightly at the bottom. Once all four fins are properly in position, begin pushing downward at the top corners of the Spark Arrestor/Screen.



Continue downward pressure until Spark Arrestor/Screen is completely seated in chimney tile. To remove for chimney cleaning, grasp Spark Arrestor/Screen at opposite corners and gently wiggle it free.



HYC Company, Inc.
St. Louis, MO

MADE IN U.S.A.