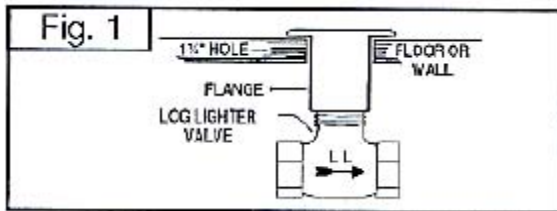


Instructions

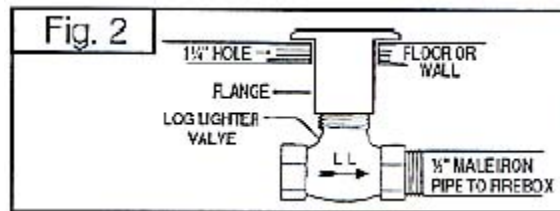
Important Notes:

- ALL PIPING MUST BE INSTALLED TO MEET LOCAL BUILDING/PLUMBING CODES
- A variety of iron pipe size fittings/nipples are available from you local hardware, home center, or fireplace dealer.
- Remove all foreign materials before threading all connections.
- Always use high quality pipe joint compound or P.T.F.E. pipe thread tape on all connections to seal threads.
- Support pipe every five feet.

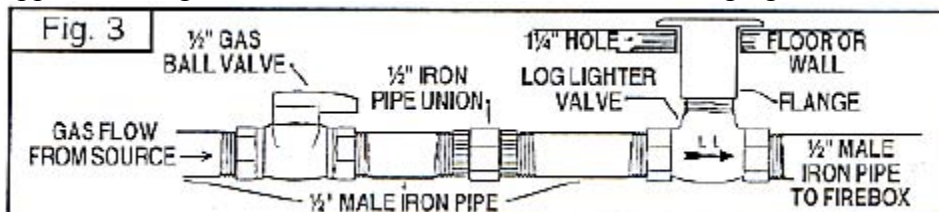
1. Turn off gas to the natural gas supply pipe. If this is not possible, turn off “whole house” natural gas.
2. Determine valve location at the base of the hearth to either side of the fireplace. Drill a 1 ¼” hole to accommodate the flange and valve. Install the valve into the flange from below the floor. See Figure 1.



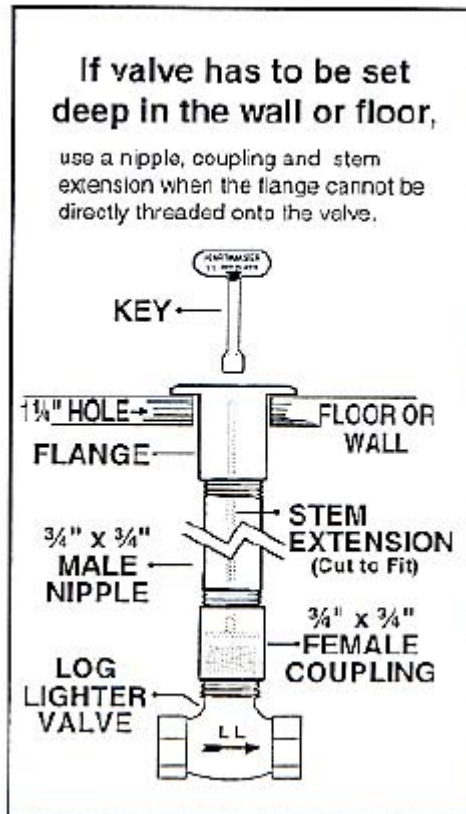
3. Run ½” male iron pipe from the gas valve to the firebox. See Figure 2. Extend pipe approximately 3 ½” if entering firebox through side (may vary depending on firebox width). If running through firebox floor, extend pipe no longer than 1 ½” (to allow for log grate) trying to cross-center MIP gas line in firebox floor.



4. Run ½” male iron pipe from a natural gas source (of at least ½” diameter) to an AGA approved ½” gas ball valve. This is not the same as a log lighter valve. See Figure 3.



5. Now run ½” male iron pipe from the ½” gas ball valve to a ½” iron pipe union.
6. Last, run ½” male iron pipe from the log lighter valve to the union, then thread union together. Cap off threaded ½” nipple in firebox, and air test new pipe connections with liquid leak detector before turning on gas.



Installing the log lighter bar:

1. Turn off the gas line to the firebox, or if necessary, the main gas line.
2. Remove test cap or old log lighter bar (if replacement).
3. Center log lighter bar in firebox, directly under chimney or flue.
4. Connect log lighter bar using the 1/2" pipe union (provided with log lighter bar) to the gas supply.
5. Seal all new gas line connections with pipe joint compound or P.T.F.E. pipe thread tape and test for leaks.

Lighting the log lighter bar:

1. Make sure the log lighter valve is completely turned off. Make sure your chimney damper or flue is open.
2. Arrange wood loosely on grate above the log lighter bar.
3. Crumple paper and place under log lighter bar. Light paper.
4. Turn log lighter valve on until bar ignites
5. Adjust log lighter valve until desired flame setting is reached.
6. Turn log lighter valve off after logs have started to burn.

