

TJERNLUND AIDS WOOD BURNING STOVES WITH **AUTO-DRAFT**[®]

**MAXIMUM ENERGY EFFICIENCY
FAST FIRES WITHOUT SMOKE**

With Auto-Draft[®] your hard starting stove draws immediately. No smoky back up even with moist or hard to ignite types of wood. Once the fire is burning, adjust the variable speed control knob for maximum efficiency of your stove. Auto-Draft provides for total utilization of your wood, leaving only a fine ash residue in most cases.



MODEL AD-1 ADVANTAGES

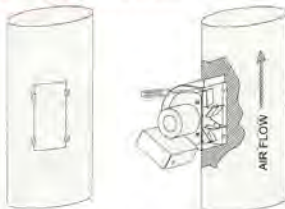
- Eliminates smoke
- Fast starting fires
- Maximum utilization of fuel
- Broadens range of fuels that can be used
- Works on standard 115 VAC
- Easy to install
- Heavy duty construction
- Minimal maintenance
- Rich flat black heat resistant finish



FITS MOST WOOD OR COAL BURNING STOVES

Auto-Draft can be installed on any wood or coal burning stove pipe from 5" to 8" in diameter. Designed to solve draft problems without increasing height or diameter of the chimney

EASY TO INSTALL



1. Cut 8 5/8" x 3 1/8" slot in the stove smoke pipe using template included. Install speed clips.
2. Secure unit to smoke pipe with sheet metal screws supplied. Simply tie into 115 VAC in accordance with prevailing codes.

SPECIFICATIONS

DIMENSIONS	ELECTRICAL
Height 9 1/2"	Voltage 115/1/60
Width 9"	Motor RPM 1200 - 1600
Depth 7"	Motor HP 1/70 (open)
Ship 10 Lbs.	Motor Amps 1 (max.)



TJERNLUND PRODUCTS, INC.

1601 Ninth Street • White Bear Lake, MN 55110-6794
PHONE (651) 426-2993 • (800) 255-4208 • FAX (651) 426-9547
Visit our web site • www.tjernlund.com

© 1994 Tjernlund Products, Inc.

PN 4500077 Rev. 1 1996



TJERNLUND PRODUCTS, INC.

1601 Ninth Street • White Bear Lake, MN 55110-6794
(651) 426-2993 • FAX (651) 426-9547
Visit our web site • www.tjernlund.com

MODEL AD-1 AUTO-DRAFT® INDUCER

**OWNERS INSTRUCTIONS, DO NOT DESTROY
READ PRIOR TO INSTALLATION AND OPERATION
INSTRUCTIONS MUST REMAIN WITH EQUIPMENT**



WOOD SELECTION

CAUTION: GREEN OR RESINOUS WOODS MUST NOT BE BURNED IN ANY DOMESTIC WOOD BURNING STOVE BECAUSE OF THE POTENTIAL HAZARD OF CHIMNEY FIRES.

WARNING

The Burning of such woods as pine, fir, etc. produces a tar-like substance known as creosote which can coat the interior of the chimney and Draft Inducer. Stack temperature may become high enough to ignite the deposits and cause a chimney fire.

Similarly, caution must be exercised when artificial or paper roll logs are burned because of the large volumes of flue gas and smoke produced. If artificial logs must be used, burn only one or two at a time to determine whether or not the smoke output exceeds your stove's venting capacity.

INSTALLATION RESTRICTIONS

The Auto-Draft needs to pull adequate air through the stove to run properly. Make sure your stove has some type of air shutter door or air intakes to satisfy draft.

The Auto-Draft requires a straight section of single wall stove pipe for installation. You must maintain an 18" clearance from combustibles to the AD-1 housing. Refer to NFPA #211 for further information.

Allow for a 1 to 2 foot distance between the AD-1 and the stove when mounting. Temperature around the electrical box and motor must not exceed 104°F. Speed control or motor damage may result from radiant heat if mounted too close to stove.

NOTE: The fan should run constantly if smoke is coming out of motor cooling hole during stove operation.

Failure to follow these guidelines could result in severe personal injury and equipment damage.

SIMPLE INSTALLATION AND MOUNTING

The Auto-Draft may be mounted on horizontal, vertical or inclined vent pipes. Installation on horizontal vent pipes must be made on the underside of the pipe to prevent excessive heat build up within the fan housing. Using the enclosed template, drill (4) 7/32" holes for speed nuts and cut a rectangular hole for the Auto-Draft, (See Diagram A). Insert curved edge of the fan housing into the pipe in direction of airflow and secure to pipe with screws, (See Diagram B).

CAUTION: Allow for a 1 to 2 foot distance between the Auto-Draft and the stove when mounting. Speed control or motor damage may result from heat if mounted too close to stove.

DIAGRAM A

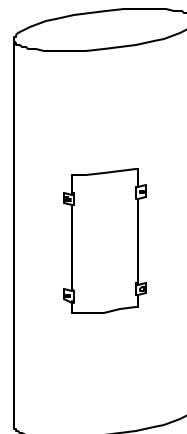
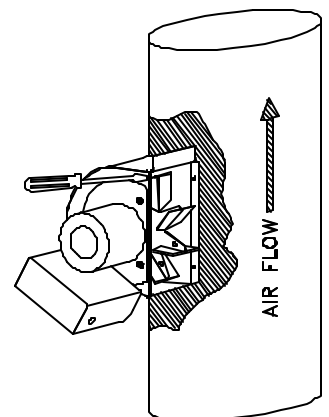
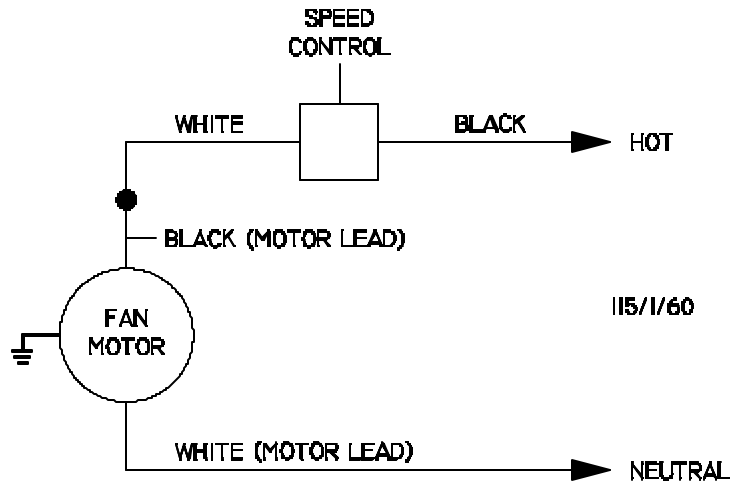


DIAGRAM B



WIRING

Electrical power from a grounded 120/1/60 source is required for the Auto-Draft. All wiring must be done in accordance with the National Electric Code (NEC) and applicable local codes. Extreme caution must be exercised to ensure that the radiant and convective heat generated by the stove and vent pipe does not damage the electrical wiring.



OPERATION

Prior to lighting the wood in your stove, the Tjernlund Auto-Draft should be turned on with the speed control adjusted to the "H" position. After the draft is established in the smoke pipe, the fire may be lit and the speed control may now be adjusted to a lower setting.

MAINTENANCE

The Auto-Draft will continue to efficiently produce draft in your wood stove as long as the following maintenance is performed at suggested intervals. Depending upon the type of wood burned, the fan must be removed from the vent pipe and cleaned at least once per year. Soot and creosote build up must be removed from both the fan wheel and housing. The fan motor is permanently sealed and requires no oiling.

REPLACEMENT PARTS

MODEL AD-1

PART NUMBER

950-3012

950-3022

950-4030

DESCRIPTION

WHEEL KIT

MOTOR KIT

SPEED CONTROL KIT

TJERNLUND ONE YEAR LIMITED WARRANTY

Tjernlund Products, Inc. warrants to the original purchaser of this product that the product will be free from defects due to faulty material or workmanship for a period of (1) year from the date of original purchase or delivery to the original purchaser, whichever is earlier. Remedies under this warranty are limited to repairing or replacing, at our option, any product which shall, within the above stated warranty period, be returned to Tjernlund Products, Inc. at the address listed below, postage prepaid. THERE ARE NO WARRANTIES WHICH EXTEND BEYOND THE DESCRIPTION ON THE FACE HEREOF, AND TJERNLUND PRODUCTS, INC. EXPRESSLY DISCLAIMS LIABILITY FOR INCIDENTAL OR CONSEQUENTIAL DAMAGES ARISING FROM THE USE OF THIS PRODUCT. THIS WARRANTY IS IN LIEU OF ALL OTHER EXPRESS WARRANTIES AND NO AGENT IS AUTHORIZED TO ASSUME FOR US ANY LIABILITY ADDITIONAL TO THOSE SET FORTH IN THIS LIMITED WARRANTY. IMPLIED WARRANTIES ARE LIMITED TO THE STATED DURATION OF THIS LIMITED WARRANTY. Some states do not allow limitation on how long an implied warranty lasts, so that limitation may not apply to you. In addition, some states do not allow the exclusion or limitation of incidental or consequential damages, so that above limitation or exclusion may not apply to you. This warranty gives you specific legal rights and you may also have other rights which may vary from State to State. Send all inquiries regarding warranty work to Tjernlund Products, Inc. 1601 9th Street, White Bear Lake, MN 55110-6794. Phone (651) 426-2993 • Fax (651) 426-9547 • Email: fanmail@tjfans.com.



8-5/8" H X 3-1/8" W

CUT

MODEL D-3 & AD-1 MOUNTING TEMPLATE



7/32" DIA. 4 PLACES



1. Clean pipe surface for proper template adhesion.
2. Peel back the label and adhere it to pipe so that the arrow points toward chimney exit.
3. Drill four 7/32" diameter holes where indicated for speed clip nuts.
4. Cut pipe along dashed lines as indicated.
5. If the Vari-Draft sliding damper is needed (model D-3 only), attach it to the inducer using the nut provided and enlarge slot by 1/8". Insert damper flange in pipe in the direction of wheel rotation.

6. Slide speed clip nuts over the four 7/32" holes so the smooth side of nut is on the outside of pipe.
7. Place a bead of General Electric RTV 106 red red high temperature silicone adhesive sealant or equivalent on the draft inducer flange before mounting it to chimney.
8. Insert inducer in slot and tighten it with the screws provided. The curved wrapper extension at the front of housing must point toward the chimney exit.

CUT



8503002

Copyright © 2001, Termark Products, Inc. All rights reserved.

